



**Features**

- Dry or liquid filled
- Cost effective
- Standard followed in general eEN 837-1

**Applications**

- Pneumatics
- Hydraulics
- Pumps
- Compressors
- Diesel engines and gaseous / liquid media that will not obstruct the pressure system.

**Specifications**

**Standard Version: 100mm & 150mm**

Accuracy	: ±1.6% of F. S.
Case & Bezel	: AISI 304 SS (Bayonet Type)
Bourdon	: Copper Alloy upto 70 kg/cm <sup>2</sup>
	: ASTM A479 Gr. 316 for 100kg/cm <sup>2</sup> & above
Socket	: Copper Alloy
Movement	: Copper Alloy
Joints	: Alloy Brazing / Soldering
Ambient Temperature	: - 20°C to + 65°C
Process Temperature	: Max. 150°C
Operating pressure range	: 75% of Scale Value
Over pressure limit	: ≤ 100 bar : 125% of Max. Scale Value
	: > 100 to ≤ 600 bar : 115% of Max. Scale Value
Protection	: IP 65
Dial	: Aluminium, black graduation on white background
Pointer	: Aluminium, black coloured fixed
Window	: Plexi Glass
Filling Plug	: Neoprene
Gasket	: Neoprene
Blow off Disc	: Neoprene

**Fillable version**

Fillable Dampening Liquid	: Glycerine 99.7%
Ambient Temperature	: Maximum 65°C
Process Temperature	: Maximum 65°C
Other Features	: Refer Specification of Standard Version

**Glycerine filled version**

Accuracy	: ±1.6% of F. S.
Ambient Temperature	: Maximum 65°C
Process Temperature	: Maximum 65°C
Window	: Plexi Glass
Dampening Liquids	: Glycerine 99.7% (others available as option)
Other Features	: Refer Specification of Standard Version

**Temperature Effect**

The variation of indication caused by effects of temperature is to be calculated by below formula; which is to be added in the specified accuracy while measurement :- Formula : ± 0.04 x (t<sub>2</sub> - t<sub>1</sub>) % of F. S. where t<sub>1</sub> = reference temperature (+20°C) and t<sub>2</sub> = ambient temperature in °C.

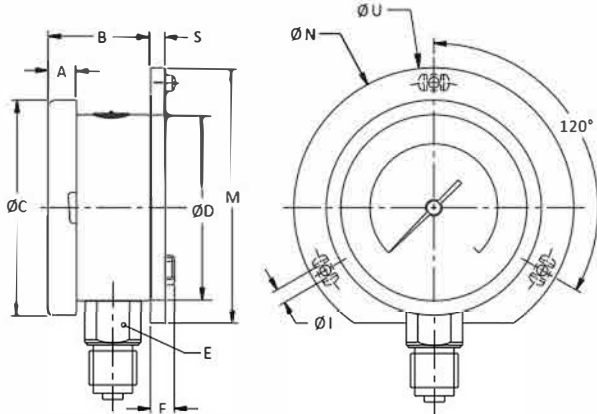
Note: Design and Specifications subject to change without prior notice.

# Series 2211PG : SBRL SS CASE BRASS PRESSURE GAUGE BOURDON TYPE

**SBRL**

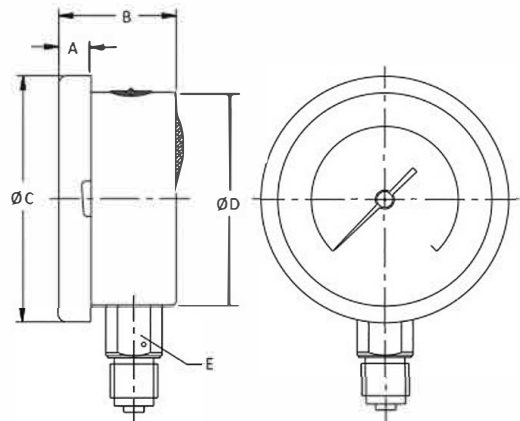
## Dimensions - Standard Version

Diagrams & Code Indicates type of mounting



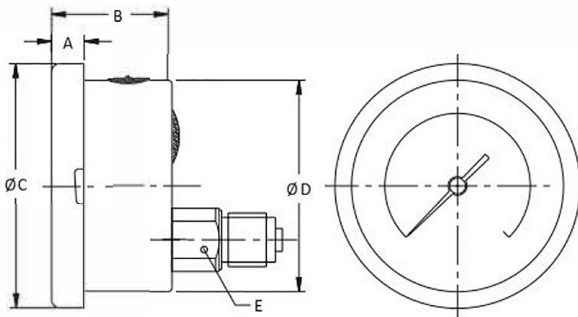
**BAYONET TYPE CODE - BMW**

NS	A	B	ØC	ØD	E	M	S	F	ØI	ØN	ØU	Weight in gram (With Box)
100	12.5	45	111	100	22	128	6	14.5	6	134	118	700.0
150	15	46.5	161	149	22	174.5	6	14.5	6	186	168	1140.0



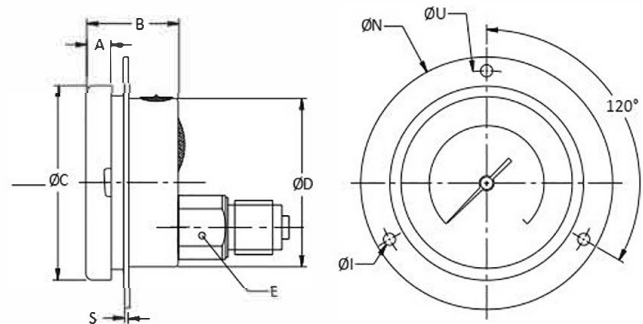
**BAYONET TYPE CODE - BM**

NS	A	B	ØC	ØD	E	Weight in gram (With Box)
100	12.5	47	111	100	22	620.0
150	15	49	161	149	22	980.0



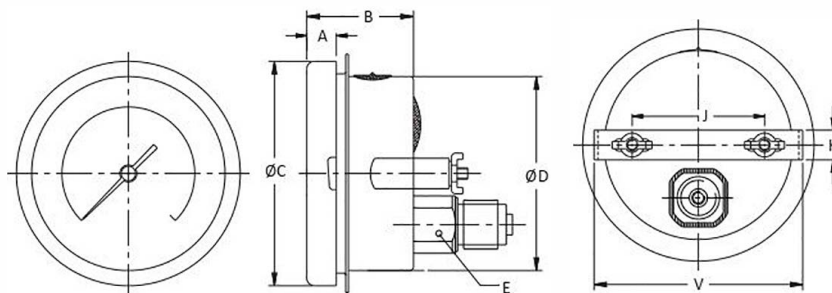
**BAYONET TYPE CODE - LBK**

NS	A	B	ØC	ØD	E	Weight in gram (With Box)
100	12.5	47	111	100	22	625.0
150	15	49	161	149	22	970.0



**BAYONET TYPE CODE - LBKFF**

NS	A	B	ØC	ØD	E	S	ØI	ØN	ØU	Weight in gram (With Box)
100	12.5	47	111	100	22	1	6	134	118	710.0
150	15	49	161	149	22	1	6	186	168	116.0



**BAYONET TYPE CODE - LBKBR**

NS	A	B	ØD	ØC	E	J	K	V	Weight in gram (With Box)
100	12.5	47	111	100	22	71	16	108	750.0
150	15	49	161	161	22	106.5	16	166	1220.0

Note: Design and Specifications subject to change without prior notice.

## Series 2211PG : SBRL SS CASE BRASS PRESSURE GAUGE BOURDON TYPE

**SBRL**

### Range Table

Note : We offer National / International Scales like kPa, MPa, bar, psi, kg/cm<sup>2</sup> & Dual Scale like kPa with psi, kPa with bar, bar with psi or Equivalent scales as per the requirement can be provided on request. Following are the example tables for kg/cm<sup>2</sup> & psi scales

### Pressure Range

#### Single scale (kg/cm<sup>2</sup>)

0 to 1	0 to 7	0 to 20	0 to 100	0 to 280
0 to 2	0 to 10	0 to 40	0 to 160	0 to 350
0 to 4	0 to 16	0 to 70	0 to 200	0 to 400

#### Dual scale (psi with kg/cm<sup>2</sup>)

psi	kg/cm <sup>2</sup>	psi	kg/cm <sup>2</sup>	psi	kg/cm <sup>2</sup>
0 to 15	0 to 1	0 to 300	0 to 20	0 to 3000	0 to 200
0 to 30	0 to 2	0 to 600	0 to 40	0 to 4000	0 to 280
0 to 60	0 to 4	0 to 1000	0 to 70	0 to 5000	0 to 350
0 to 100	0 to 7	0 to 1500	0 to 100	0 to 6000	0 to 400
0 to 150	0 to 10	0 to 2200	0 to 160		
0 to 220	0 to 16				

### Vacuum & Compound Range

Dual scale			Freon (with temperature scale) Note : For temperature scales, please provide refrigerant name.	
inHg with psi	inHg with psi	inHg with psi	Dual scale (Inch Hg to psi)	
-30 to 0	-30 to 60	-30 to 200	Range	Range
-30 to 15	-30 to 100	-30 to 300	-30 to 150	0 to 300
-30 to 30	-30 to 150	-30 to 350	-30 to 300	0 to 500

#### Single scale (kg/cm<sup>2</sup>)

-1 to 0	-1 to 1.5	-1 to 5	-1 to 15
-1 to 0.6	-1 to 3	-1 to 9	-1 to 24

### Accessories (Refer Datasheet For Complete Specifications)

Code	Accessories	Code	Accessories	Code	Accessories
CT	Cooling Tower	GS	Over Load Protector (Gauge Saver)**	PD	Snubber
GC	Gauge Cock	*	Needle Valve	SYP	Siphon

\* Refer catalogue for Valves & Manifolds

\*\* For Pressure Ranges.

## Series 2211PG : SBRL SS CASE BRASS PRESSURE GAUGE BOURDON TYPE

### How To Order - Ordering Example: 2211PG: SBRL. 100. BMW. 2NPM. 0 to 10bar/psi

Basic Model                      2211PG : SBRL			
Code	Nominal Size		
100	100mm		
150	150mm		
Code	Type Of Mounting	Code	Type Of Mounting
BMW	Wall, surface, projection mounting with bottom entry	LBKFF	Lower back entry with front flange
BM	Direct bottom entry	LBKBR	Lower back entry with mounting bracket
LBK	Direct lower back entry		

Code	Gauge Connection
4NPM	1/4" NPT (M)
38BSM	3/8" BSP (M) standard
2BSM	1/2" BSP (M) standard
2NPM	1/2" NPT (M) standard
2BSTM	1/2" BSPT (M)
2M20	M 20 x 1.5 (M)

Note : Connections like Metric/ PT/ PF/ Flaired/ UNF/ G/ R etc can be provided on request.  
\* Consult factory for minimum order quantity, price & delivery.

Range			
Refer Range Table			
Code	Options	Code	Options
C5	Five point calibration certificate	OAP	Zero adjustable pointer
CD	Custom designed dial	IDSB	Integral dampening screw (brass)
OS	Oxygen Service (for fillable version)	TM	Dial tag marking
ST	SS tag plate		
DG	Dampening liquid glycerine filled		
HLT	Helium leak test		
FG	Fillable liquid glycerine		
MOAP	Micrometer '0' adjustment pointer		
ZC	Freon range (with temperature scale)		