

Series 2211ACC : GC Gauge Cock All stainless steel



Features

- Air vent hole for drain
- Working pressure up to 100 kg/cm²
- Working temperature up to 180 °C
- Backelite cover on operating
- Lever (handle)

Applications

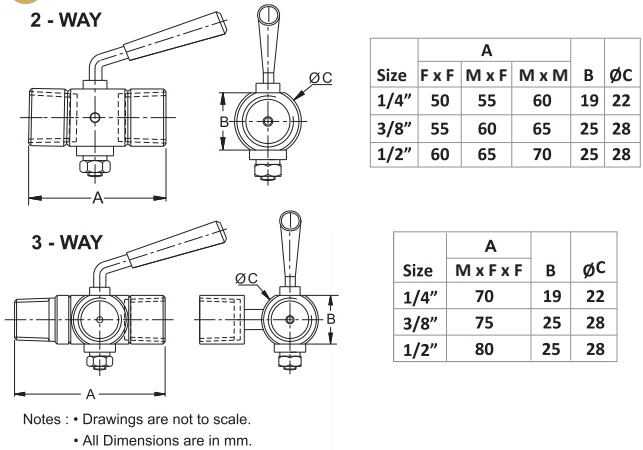
- Hydraulic machines
- Compressors
- Process plants
- Clean air
- Gases
- Non crystallized liquids

Specifications

Standard Version

Body	: AISI 316 SS
Handle	: AISI 304 SS with Backelite cover
Working pressure	: 100 kg/cm ²
Working temperature	: Up to 180°C
Gasket seal	: PTFE
Connecon	: ½" BSP (F x F) For 2 - Way
	: ½" BSP (M x F x F) For 3 - Way

Dimensional Details



How To Order - Ordering Example : 2211ACC : GC.2W.SS.4BSF.BSF

Basic Model		2211ACC : GC	
Code	Type	Code	Type
2W	2 - WAY	3W	3 - WAY
Code	Body Material	Code	Body Material
SS	AISI 316 SS (Standard)	SS3	AISI 304 SS
Code	2 Way - size & end connecion [inlet x outlet] (* Standard)		
4BSF.4BSF	4/1" BSP (F x F)*	38BSM.38BSM	8/3" BSP (M x M)
4BSM.4BSF	4/1" BSP (M x F)	4NPF.4NPF	4/1" NPT (F x F)*
4BSM.4BSM	4/1" BSP (M x M)	2BSF.2BSF	2/1" BSP (F x F)*
38BSF.38BSF	8/3" BSP (F x F)*	4NPM.4NPF	4/1" NPT (M x F)
38BSM.38BSF	8/3" BSP (M x F)	4NPM.4NPM	4/1" NPT (M x M)
		2BPM.2BPM	2/1" NPT (M x F)
		38NPF.38NPF	8/3" NPT (F x F)*
		2NPM.2NPM	2/1" NPT (M x M)
		38NPM.38NPF	8/3" NPT (M x F)
Code	3 Way - size & end connecion [inlet x outlet x outlet] (* Standard)		
4BSM.4BSF.4BSF	4/1" BSP (M x F x F)*	4NPM.4NPF.4NPF	4/1" NPT (M x F x F)*
38BSM.38BSF.38BSF	8/3" BSP (M x F x F)	2BSM.2BSF.2BSF	1/2" BSP (M x F x F)
		38NPM.38NPF.38NPF	8/3" NPT (M x F x F)
		2NPM.2NPF.2NPF	1/2" NPT (M x F x F)
Code	Options	Code	Options
OS	Oxygen service	MTC	Material test certificates*
GI	Threaded hex plug for vent hole	CN	Conformity as per NACE Standard

* Material test certificates will be provided for wetted parts only with chemical composition testing. For others, please consult factory. For other optional items, please contact factory for delivery and minimum quantity of order.

Note: Design and Specifications subject to change without prior notice.