

# Series 2211ACC : SYP

## Siphon

### All stainless steel

SYP



#### Features

- Pigtail, Coil and "U" type shapes
- Maximum temperature up to 400 °C
- Nominal pressure up to 160 kg/cm<sup>2</sup>
- TIG welded & hydro tested
- Made with seamless pipes

#### Applications

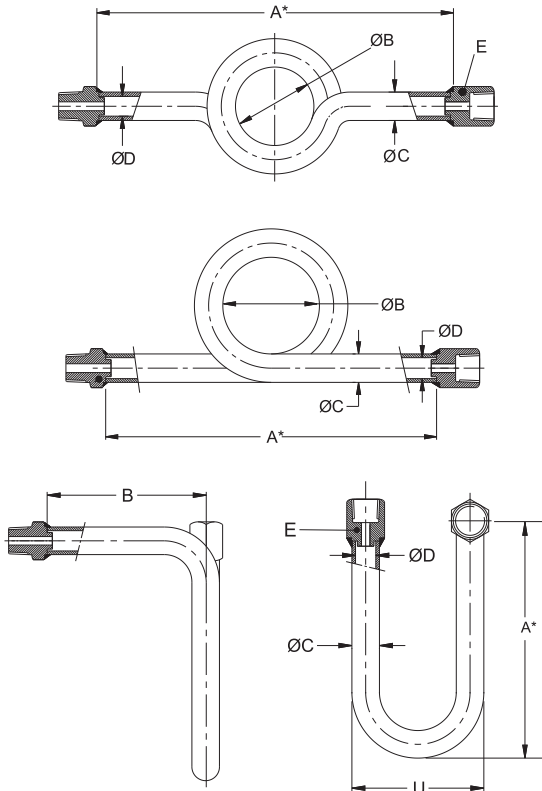
- Siphons are used mainly to protect pressure instruments, gauges, switches and transmitters directly coming in contact with high temperature process fluids or vapours
- These are mounted between process and pressure instrument
- They reduce process pulsation and generate cooling effect to save the instrument

## Specifications

### Standard Version

Body material	: AISI 316 Stainless Steel
Pipe size	: 1/2", Schedule 40
Operating pressure	: 100 kg/cm <sup>2</sup> at 120 °C .

## Dimensional Details



### Coil Type

Pipe size	A	ØB	ØC	ØD	E
1/2" Sch. 40	270	61.5	21.3	15.7	25
1/2" Sch. 80	270	61.5	21.3	13.9	25
1/2" Sch. 160	270	61.5	21.3	11.7	25

A\* = ±5 mm

### Pigtail Type

Pipe size	A	ØB	ØC	ØD	E
1/2" Sch. 40	270	61.5	21.3	15.7	25
1/2" Sch. 80	270	61.5	21.3	13.9	25
1/2" Sch. 160	270	61.5	21.3	11.7	25

A\* = ±5 mm

### "U" Type

Pipe size	A	B	U	ØC	ØC	E
1/2" Sch. 40	169	155	99	21.3	15.7	25
1/2" Sch. 80	169	155	99	21.3	13.9	25
1/2" Sch. 160	169	155	99	21.3	11.7	25

A\* = ±5 mm

- Notes :
- Drawings are not to scale.
  - All Dimensions are in mm.
  - Drawings & dimensions of other pipe schedules are available on request.

Note: Design and Specifications subject to change without prior notice.

**How To Order** - Ordering Example : 2211ACC : SYP.COL.SS.40"4/1.SF.2BSF.2BSF

Basic Model 2211ACC : SYP					
Code	Type	Code	Type	Code	Type
COL	Coil type	PIG	Pigtail type	UT	'U' Type

It is recommended that the Siphon should be filled with water or any other suitable separating fluid, when it is installed first time.

Code	Body Material	Code	Body Material	Code	Body Material	Code	Body Material
SS	AISI 316 SS (Standard)	SSL	AISI 316L SS	SS3	AISI 304 SS	CS	Carbon steel (red oxide painted)

Code	Pipe size & schedule		Code	Pipe size & schedule		Code	Pipe size & schedule	
1/4"	40		3/8"	40		1/2"	40	
1/4"	80		3/8"	80		1/2"	80	

(Example: Write 1/2 40 to select 1/2" Sch. 40 Pipe)

Code	Connecion type	Code	Connecion type	Code	Connecion type
SF	Swivel female*	MF	Male or female adaptor	MP	Male thread on pipe

(\*Not suitable for NPT threading)

Code	Connecion	Code	Connecion	Code	Connecion
4BSF.4BSF	4/1" BSP (M x F)	4BSM.4BSM	4/1" BSP (M x M)	4BSF.4BSF	4/1" BSP (F x F)
4NPM.4NPF	4/1" NPT (M x F)*	4NPM.4NPM	4/1" NPT (M x M)	4NPF.4NPF	4/1" NPT (F x F)*
38BSM.38BSF	8/3" BSP (M x F)	38BSM.38BSM	8/3" BSP (M x M)	38BSF.38BSF	8/3" BSP (F x F)
38NPM.38NPF	8/3" NPT (M x F)*	38NPM.38NPM	8/3" NPT (M x M)	38NPF.38NPF	8/3" NPT (F x F)*
2BSM.2BSF	2/1" BSP (M x F) (Standard)	2BSM.2BSM	2/1" BSP (M x M)	2BSF.2BSF	2/1" BSP (F x F)
2NPM.2NPF	2/1" NPT (M x F) (Standard)*	2NPM.2NPM	2/1" NPT (M x M)	2NPF.2NPF	2/1" NPT (F x F)*
2NPM.PE	2/1" NPT (M) x Plain end				

(\*Except option SF)

Code	Options	Code	Options	Code	Options
IBR	IBR approval*	MTC	Material test certificate	ST	SS tag plate
LM	Marking by laser#	EM	Marking by engraving#	STPM	Marking by stamping**

\* IBR approval will be provided for plain end siphons only. Adaptors will be welded after IBR approval, if required.

\*\* Available for option CS. # Available for options SS3, SS & SSL.