



### Features

- High accuracy & repeatability
- SS wetted parts
- Set point locking
- Highly reliable
- Diaphragm seals (optional)

### Applications

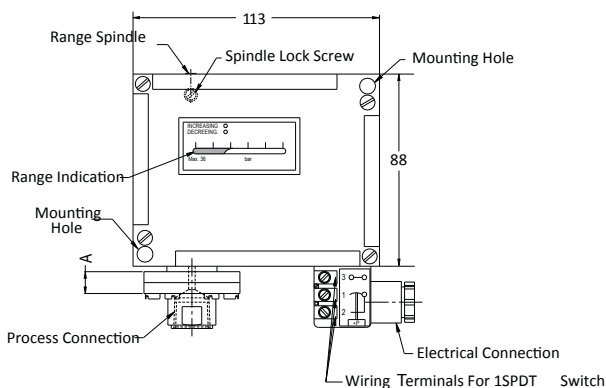
- Boiler, furnace, railway engines.
- Oil & gas, conventional & nuclear power plants, mines, iron & steel plants, refineries, petrochemical, food & pharmaceutical, chemical & fertilizer, cement, textile, glass, paint, pulp & paper, marine industries.

## Specifications

### Standard Version

Sensing element	:	Diaphragm
Top Chamber	:	Mild Steel (plated)
Bottom Chamber	:	AISI 316 SS
Sensing element material	:	AISI 316L SS
Cable entry	:	PG 13.5 mm
Accuracy	:	± 1.0% F. S.
Repeatability	:	± 0.5% F. S.
Scale unit	:	bar
Range	:	Refer "how to order"
Set point	:	Between 20 to 80% F. S. for better performance
Over pressure limit	:	150% of F. S.
Differential	:	Fixed
Mounting	:	Bottom / Panel
Process connection	:	1/4" NPT (F)
Enclosure protection	:	W/P to IP 66
Enclosure material	:	Pressure die cast aluminum
Maximum process temperature	:	150 °C
Ambient temperature	:	-10 to 60 °C
Switch	:	1 SPDT, snap action micro switch
Switch rating	:	15 A, 250 VAC, 0.2 A, 220 VDC
High voltage strength	:	0.5 to 0.6 KV between open contacts and 2 KV between contacts and body
Insulation resistance	:	>100 M ohms at 500 V
Conformity	:	BS 6134
Scale Accuracy	:	± 1.0% F. S.

## Dimensional Details



### Notes :

- Drawings are not to scale.
- All Dimensions are in mm.

Note: Design and Specifications subject to change without prior notice.

#### How To Order - Ordering Example : 2211PS : DT.P001.SS.SSL.FXD.1S.GPL.I.4NPF.PGE.C5

Basic Model		2211PS : DT							
Range									
Code	Range (mbar)	Code	Range (mbar)	Code	Range (bar)	Code	Range (bar)	Code	Range (bar)
WC20	-20 to 20	W060	5 to 60	P001	0.1 to 1	P016	1 to 16	C005	-0.5 to 0.5
WC40	-40 to 40	W100	10 to 100	P002	0.2 to 2	P025	2 to 25	C011	-1 to 1
W020	3 to 20	W250	25 to 250	P004	0.4 to 4	P032	2 to 32	C012	-1 to 2
		W400	40 to 400	P006	0.6 to 6	P040	2 to 40	C014	-1 to 4
		W600	60 to 600	P010	1 to 10			V001	-1 to 0

Note : Other equivalent scale units like kg/cm<sup>2</sup>, kPa, MPa, psi, mmWC etc can be provided on request.

Code	Chamber Material (Top)	Code	Chamber Material (Top)
SS	AISI 316 SS	MS	Mild Steel - plated (Standard)
SSL	AISI 316L SS	SS3	AISI 304 SS

Code	Chamber Material(Bottom)	Code	Chamber Material(Bottom)
SS	AISI 316 SS (Standard)	MON	Monel
SSL	AISI 316L SS	HTLC	Hastelloy C

Code	Sensing Element Material	Code	Sensing Element Material
SSL	AISI 316L SS (Standard)	TEF	Teflon
HTLC	Hastelloy C	MON	Monel

Code	Differential	Code	Differential
FXD	Fixed (standard) <b>Note :</b> 1 SPDT = 3 to 5% F.S. 2 SPDT = 4.5 to 7.5% F.S. 1 DPDT = 4.5 to 7.5% F.S.	ADJ	Adjustable <b>Note :</b> 1 SPDT = 5 to 12.5% F.S. 2 SPDT = 7.5 to 19% F.S. 1 DPDT = 7.5 to 19% F.S.

Code	Type of Micro Switch	Code	Type of Micro Switch	Code	Type of Micro Switch
1S	1 SPDT	2S	2 SPDT	1D	1 DPDT

Micro Switch Rating						
Code	Description	AC Rating	AC Rating (Resistive)	DC Rating (Inductive)	Available on 1 SPDT	Available on 2 SPDT
GPL	Low dead band and fixed	15 A 250 V	2 A 24 V 0.4 A 110 V 0.2 A 220 V	2 A 24 V 0.4 A 110 V 0.2 A 220 V	Fixed differential of DT	Fixed differential of DT
GPH	Standard dead band	15 A 250 V	6 A 24V 0.5 A 110 V 0.25 A 220 V	5 A 24 V 0.05 A 110 V 0.03 A 220 V	Fixed differential of DT	Fixed differential of DT
GPA	Adj. differential micro Switch	15 A 250 V			Adj.differential of DT	Adj. differential of DT
GPG	Gold plated contact	1 A 125 V	0.5 A 28 V		Fixed differential of DT	Fixed differential of DT

Micro Switch Rating						
Code	Description	AC Rating	AC Rating (Resistive)	DC Rating (Inductive)	Available on 1 SPDT	Available on 2 SPDT
SES	Environmentally sealed silver contact	15 A 250 V	0.4 A 125 V		Fixed differential of DT	Fixed differential of DT
SEG	Environmentally sealed gold contact		1 A 28 V		Fixed differential of DT	Fixed differential of DT
HSS	Hermetically sealed silver contact	4 A 230 V	3 A 28 V	2 A 24 V	Fixed differential of DT	Fixed differential of DT
HSG	Hermetically sealed gold contact	1 A 125 V	NA	NA	Fixed differential of DT	Fixed differential of DT
HDC	High DC rating	10 A 125 V	10 A 125 V	6 A 125 V	Fixed differential of DT	Fixed differential of DT
DPD	DPDT Micro switch	10 A 125 V	0.2 A 250 V		Fixed & adjustable differential of DT	NA

Code	Calibration	Code	Calibration
I	Increasing	D	Decreasing

Process Connections (* Please mention the flange face and flange finish)							
Code	Process Connections	Code	Process Connections	Code	Process Connections	Code	Process Connections
			Through Adaptors		Flanged (As per ANSI B 16.5)*		
4NPM	1/4" NPT (M)	38BSM	3/8" BSP (M)	B09	1/2" 150 #	B21	1" 150 #
4NPF	1/4" NPT (F) (Standard)	38BSF	3/8" BSP (F)	B10	1/2" 300 #	B22	1" 300 #
		2BSM	1/2" BSP (M)	B11	1/2" 600 #	B23	1" 600 #
		2BSF	1/2" BSP (F)	B15	3/4" 150 #	B33	1 1/2" 150 #
		2NPM	1/2" NPT (M)	B16	3/4" 300 #	B34	1 1/2" 300 #
		2NPF	1/2" NPT (F)	B17	3/4" 600 #	B35	1 1/2" 600 #
						B39	2" 150 #
						B40	2" 300 #
						B41	2" 600 #
						B51	3" 150 #
						B52	3" 300 #
						B53	3" 600 #

Code	Cable Entry	Code	Cable Entry	Code	Cable Entry	Code	Cable Entry
DIN	DIN Connection*	ETE	3/4" ET	ECB	3/4" ET DCCG Brass	4PN	4 PIN Connection*
PGE	PG 13.5 (Std)	2NP	1/2" NPT (F)	NPB	1/2" NPT DCCG Brass	7PN	7 PIN Connection
ECS	3/4" ET DCCG SS	NPS	1/2" NPT DCCG SS				

\* For 1 SPDT

Code Options		Code Options	
C5	Calibration certificate	WN	Wall mounting bracket (steel plated)
ST	SS Tag plate	PM	2" Pipe mounting
CN	Conformity as per NACE Standard	JU	2" Pipe/yoke mounting bracket & 'U' clamp (AISI 304 SS)
MTC	Material test certificates***	FN	2" Pipe/yoke mounting bracket & 'U' clamp (AISI 316 SS)
OS	Oxygen service		
CT	Calibration certificate traceable to national/international standards		

\*\*\*Material test certificates will be provided for wetted parts only with chemical composition testing. For others, please consult factory.

Accessories (Refer individual datasheet for complete specifications)			
Code	Accessories	Code	Accessories
CT	Cooling tower	GS	Overload protector
GC	Gauge cock	PD	Snubber
DS	Diaphragm seals	NV	Needle valve
		SYP	Syphon
		MF	Manifolds

Note : In 2 SPDT Instruments, there may be an error of max ± 2% F. S. between Micro Switches at the set point.

Note: Design and Specifications subject to change without prior notice.