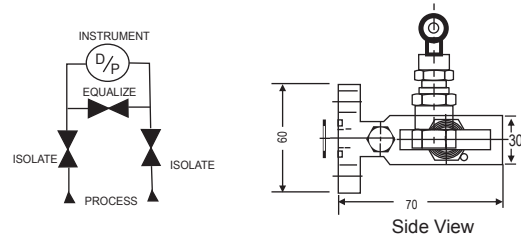


Features

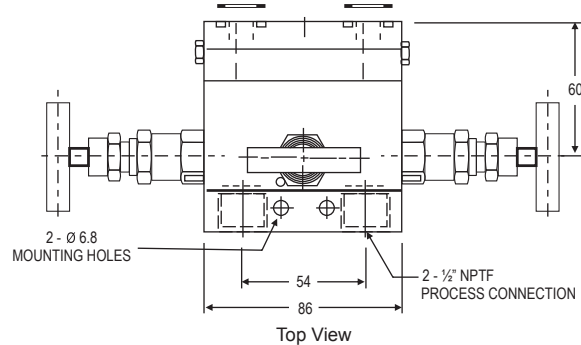
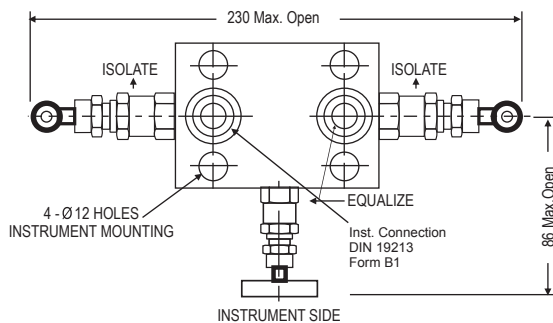
- Threaded horizontal port inlets on the front side and Flange outlets on the back side.
- Two test connections positioned on the left and right hand side of the body.
- Two test connections positioned on the left and right hand side of the body.
- The isolating bonnets are positioned on the left and right hand side and the equalizing bonnet is positioned on the top.

Standard Connection

Product	Process side	Instrument side
3VQ	1/2" NPT Female	Flange



Back View



Top View

Note: Optional with 1/4" NPT drain plug & drain plug with bleed available on request.

- Notes :
- Drawings are not to scale.
 - All Dimensions are in mm.

Specifications - Standard Version

Body	: SS 316
Stem	: SS 316
Valve assembly	: SS 316
'T' bar handle	: SS 304
Maximum working pressure	: 6000 psi
Maximum working temperature	: 240°C
Packing	: PTFE
Type of stem	: Type CT; Stem with conical metal tip
Drain port	: 1/4" NPT [F]; provided with SS 316 plug
Bracket mounting holes	: 4 Nos. with 12 mm ID

How To Order - Ordering Example: 6211MF: 3VQ.SS.CT.P.2F.FD.N

Basic Model		6211MF : 3VQ					
Code	Body Material	Code	Body Material	Code	Body Material	Code	Body Material
CS	Carbon Steel	SS	SS 316	SS3	SS 304	SSL	SS 316L
MON4	Monel 400	MON5	Monel 500	HTLC	Hastelloy C		
Code	Stem Type	Code	Stem Type				
CT	CT	DS	DS				
Code	Stem Packing	Code	Stem Packing				
P	PTFE	G	Grafoil				
Code	Size (Inlet x Outlet)						
2F	1/2" x Flange						
Code	Connections	Code	Connections				
FD	Female x Flange(54mm)	SW	Socket Weld				
Code	Threads	Code	Threads	Code	Threads		
N	NPT (ANSI B 1.20.1)	B	BSPP (BS 2779, ISO 228/1)	BT	BSPT (BS 21, ISO 7/1)		
Code	Options						
CN	Compliance to NACE standard						
OS	For Oxygen service, valves are supplied cleaned, degreased and suitably packed.						
MTC	Material test certificate *						
GO	Hydro test certificate						
PRF	PTFE ring for flange seal						
GRF	Grafoil ring for flange seal						
D4	1/4" NPT Drain Plug						

*Material test certificates will be provided for wetted parts only with chemical composition testing. For others, please consult factory.

NOTE:

- The weld prepared types are available with female plain end - suitable for socket weld.
- Anti-tamper bonnet - special design on request with locking arrangement if desired.