

Series 6211MF: 5VQ Five Valve Manifolds Remote mount (Pipe to Pipe)

5VQ

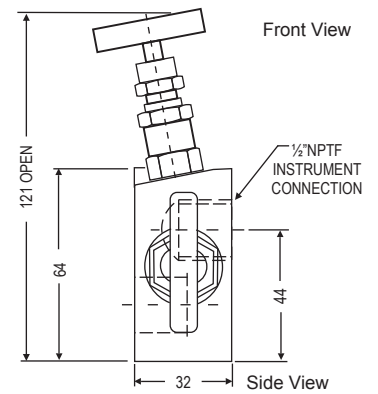
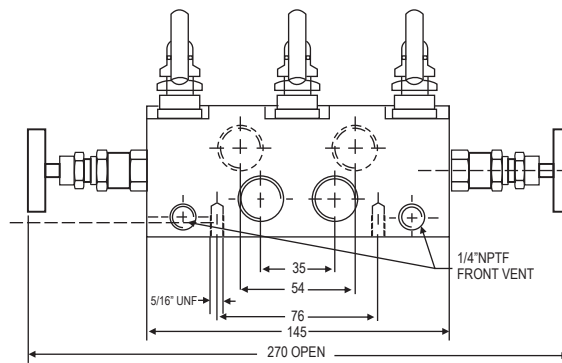
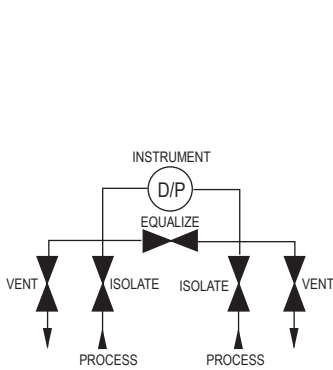


Features

- Series designed for complete isolation of instruments-2 inlets NPT female at front, 2 outlets NPT female at back side.
- Vent/test connection at front, equalizing bonnets and Isolating bonnets on angular top, venting bonnets at left and right side.

Standard Connection

Product	Process side	Instrument side	Vent/Test
5VQ	1/2" NPT Female	1/2" NPT Female	1/4" NPT Female



- Notes :
- Drawings are not to scale.
 - All Dimensions are in mm.

Note: Design and Specifications subject to change without prior notice.

Specifications - Standard Version	
Body	: SS 316
Stem	: SS 316
Valve assembly	: SS 316
'T' bar handle	: SS 304
Maximum working pressure	: 6000 psi
Maximum working temperature	: 240°C
Packing	: PTFE
Type of stem	: Type CT; Stem with conical metal tip
Drain port	: 1/4" NPT [F]; provided with SS 316 plug

How To Order - Ordering Example: 6211MF: 5VQ.SS.CT.P.22.FF.N

Basic Model 6211MF : 5VQ							
Code	Body Material	Code	Body Material	Code	Body Material	Code	Body Material
CS	Carbon Steel	SS	SS 316	SS3	SS 304	SSL	SS 316L
MON4	Monel 400	MON5	Monel 500	HTLC	Hastelloy C		
Code	Stem Type	Code	Stem Type				
CT	CT	DS	DS				
Code	Stem Packing	Code	Stem Packing				
P	PTFE	G	Grafoil				
Code	Size (Inlet x Outlet)						
22	1/2" x 1/2" (std)						
Code	Connections	Code	Connections				
FF	Female x Female	SW	Socket Weld				
Code	Threads	Code	Threads	Code	Threads		
N	NPT (ANSI B 1.20.1)	B	BSPP (BS 2779, ISO 228/1)	BT	BSPT (BS 21, ISO 7/1)		
Code	Options						
CN	Compliance to NACE standard						
OS	For Oxygen service, valves are supplied cleaned, degreased and suitably packed.						
MTC	Material test certificate *						
GO	Hydro test certificate						

*Material test certificates will be provided for wetted parts only with chemical composition testing. For others, please consult factory.

NOTE:

- The weld prepared types are available with female plain end - suitable for socket weld.
- Anti-tamper bonnet - special design on request with locking arrangement if desired.