

Series 3411LS: SM Level Switch Side mounted

SM

Working Principle & Operation

It is compact & rugged construction consisting of a free moving float and a switch assembly in non - magnetic material to catch maximum magnetic flux. It includes dual magnets, one carried by the float arm and other by the other assembled in the switch enclosure.

A change in liquid level brings the like poles of dual magnets opposite to each other and resulting repulsion force which gives a changeover contacts with snap action.



Features

- Rugged construction
- Easy installation
- Easy replacement of electrical assembly

Applications

- Chemical processing equipment
- Alarms for hydro-pneumatic tanks
- Ship building industry
- Water treatment plant
- Food
- Pharmaceuticals

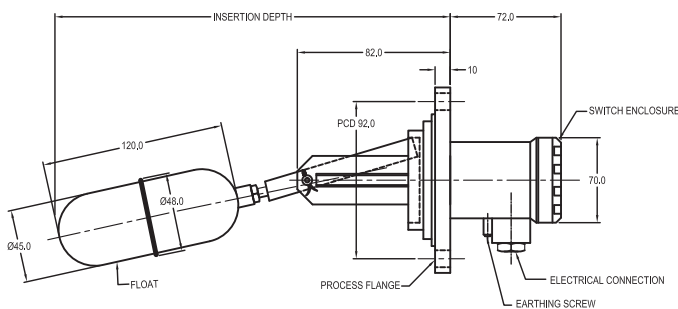
Specifications

Standard Version

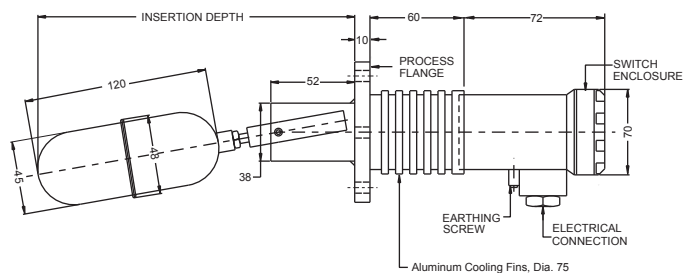
Housing material	: Die Cast Aluminum
Ingress protection	: IP 65
Process connection	: 92 mm PCD Square Flange
Material of wetted parts	: AISI 316 SS
Float diameter	: 45 mm (48 mm at welded seam)
Insertion depth	: 215 mm (Standard)
Cable entry	: ½" BSP (F) with ½" BSP (M) Conduit
Switch differential	: 15 ± 5 mm
Switch type	: Micro Switch
Switch rating	: 5 A / 250 VAC
Minimum specific gravity	: 0.75
Maximum operating temperature	: -10°C to + 180°C
Maximum operating pressure	: 18 kg/cm ²

Dimensions - Standard Version

Type - A: General Purpose with Forged Flange

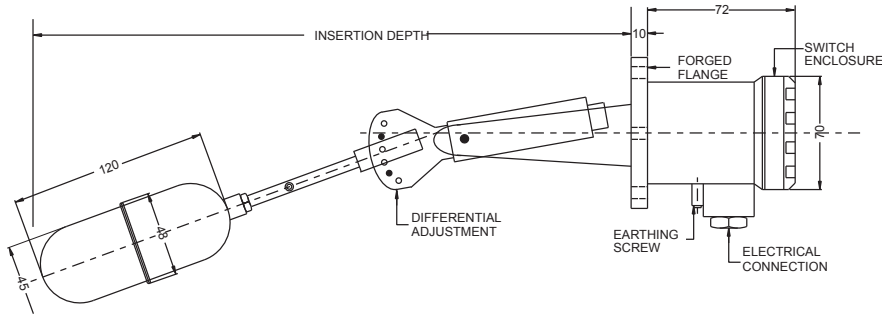


Type - T : High Temperature (up To 350°C)



Note: Design and Specifications subject to change without prior notice.

Type - Z : Adjustable Differential



How To Order - Ordering example: 3411LS.SM.A.215A.AWP.A.1.1NPM.ST

Basic Model		3411LS : SM					
Code	Type						
A	General Purpose (standard)						
T	High Temperature (up To 350°C) (with Aluminum Cooling Fin)						
Z	Adjustable Differential (with Process Connection Option D03)						
Code	Insertion Depth						
XX A	Please specify Insertion length in mm (Min. 215 mm for Type A)						
XX T	Please specify Insertion length in mm (Min. 215 mm for Type T)						
XX Z	Please specify Insertion length in mm (Min. 350 mm for Type Z)						
Example : Write 215 A For length 215 mm & Type A							
Code	Housing Material						
AWP	Die Cast Aluminum Weatherproof to IP 65 (standard)						
All	Die Cast Aluminum Suitable for Gas (Group II A / II B)						
SSII	AISI 316 SS (Group II A / II B)						
Code	Cable Gland						
A	SS316 - ½" BSP (M) Conduit Plug (standard)						
B	Brass (NI Plated) - ½" NPT DC						
C	Brass (NI Plated) - ½" BSP SC						
D	SS304 - Ex Proof						
Code	Switch Output						
1	1 SPDT (Standard)						
2	2 SPDT / 1 DPDT						
Code	Process Connection	Flanged (As per ANSI B 16.5)					
D01	92 Mm PCD Square Flange (standard)	1NPM	1" NPT (M)*	B39	2" 150# RF	B40	2" 300# RF
D02	92 Mm PCD Round Flange	15NPM	1 ½" NPT (M)*	B45	2 ½" 150# RF	B46	2 ½" 300# RF
D03	92 Mm PCD Forged Square Flange	20NPM	2" NPT (M)	B51	3" 150# RF	B52	3" 300# RF
*Float Diameter will be 25 mm, Seam diameter 28 mm				C33	4" 150# RF	C34	4" 300# RF
Code	Options	Code	Options				
PC	PTFE Coating (up To 150 °c) (for Flange Connection Type Only)	GB	Housing - Suitable For Gas Group II A / II B				
MF	Matching Flange	GC	Housing - Suitable For Gas Group II C				
ST	SS Tag Plate	MTC	Material Test Certificates**				
		PPF	Polypropylene Float				

For Non Standard Products/optional Items, Please Contact Factory for Delivery and Minimum Quantity of Order.

** Material test certificates will be provided for wetted parts only with chemical composition testing. For others, please consult factory.

Note: Design and Specifications subject to change without prior notice.