

7200DS : HD Diaphragm Seal Heavy duty mini seal



Feature

- All AISI 316 SS construction
- Light weight
- Economical
- Ideal choice for high pressure
- The diaphragm is welded to the body to ensure separation of the filling fluid from the process medium

Application

- Diaphragm seals are designed to isolate the sensing element of pressure gauges and pressure switches from process fluids that they may be corrosive, viscous, sedimentous and / or with a high temperature

Specifications

Standard Version

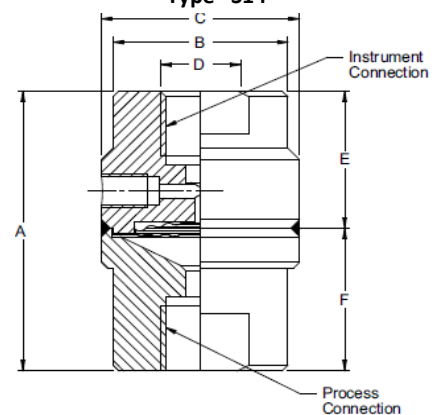
(Compatible models: PPS, SFRF, SFPP, SFSS, SSL & SDT)

Seal type & Range	: S11 = -1 kg/cm ² to 0 & 0 to 4 kg/cm ² (Standard)
	: S12 = 6 kg/cm ² to 70 kg/cm ²
	: S13 = 100 kg/cm ² to 400 kg/cm ²
	: S14 = 250 kg/cm ² to 600 kg/cm ²
Process temperature	: - 40 °C to 200 °C or as per fill fluid
Instrument connection	: ½" BSP (F)
	: 1/4" BSP (F) for type S14
Process connection	: ½" BSP (M)
	: 1/4" BSP (F) for type S14
Fill fluid	: Silicon Oil - DC 200
Mounting	: Direct (without capillary)

Diaphragm	: AISI 316L SS
Body	: AISI 316 SS

Dimensions – Standard Version

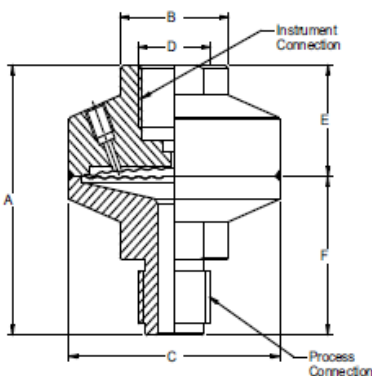
Type "S14"



A	B	C	D	E	F	Approx. Wt. #
49	30	34	1/4" BSP(F)	24	25	280

Dimensions – Standard Version

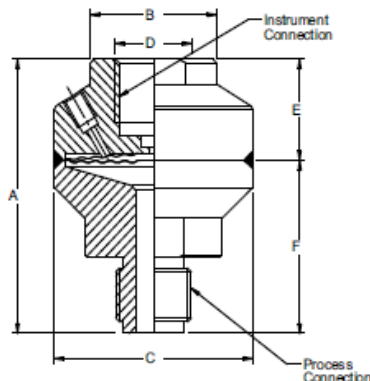
Type "S11"



A	B	C	D	E	F	Approx. Wt. #
71.5	32	62.5	1/2" BSP(F)	29.5	42	700

(# Weight in grams with box for Standard Model.)

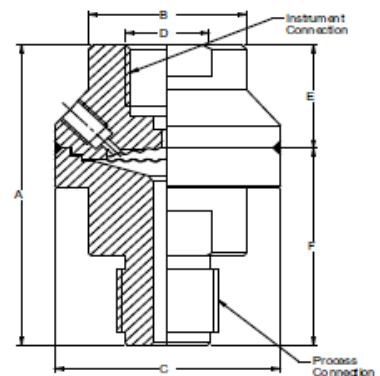
Type "S12"



A	B	C	D	E	F	Approx. Wt. #
71.5	35	55	1/2" BSP(F)	26.5	45	650

(# Weight in grams with box for Standard Model.)

Type "S13"



A	B	C	D	E	F	Approx. Wt. #
67	32.5	46.5	1/2" BSP(F)	23	44	430

(# Weight in grams with box for Standard Model.)

7200DS : HD Diaphragm Seal Heavy duty mini seal

How To Order – Order Example: 7200DS:HD-S11-4BSF-SS-SSL-SS-2BSF-UX-1.5Mtrs.-SS3-HLT

Basic Model	: 7200DS : HD
--------------------	----------------------

Code	Seal Type	Code	Seal Type
S11	-1 kg/cm ² to 0 & 0 to 4 kg/cm ² (Standard)	S13	100 kg/cm ² to 400 kg/cm ²
S12	6 kg/cm ² to 70 kg/cm ²	S14	250 kg/cm ² to 600 kg/cm ²

Code	Instrument Connection (*For seal type S14)
4BSF	1/4" BSP(F) (Standard)*
4NPF	1/4" NPT (F)
38BSF	3/8" BSP (F)
2BSF	1/2" BSP (F) (Standard)
2NPF	1/2" NPT (F)

Code	Top Chamber	Code	Top Chamber	Code	Top Chamber
SS	AISI 316 SS (Standard)	SSL	AISI 316L SS	SS3	AISI 304 SS

Code	Diaphragm	Code	Diaphragm	Code	Diaphragm
SSL	AISI 316L (Standard)	HTLC	Hastelloy C	MON	Monel

Code	Bottom Chamber	Code	Bottom Chamber	Code	Bottom Chamber	Code	Bottom Chamber
SS	AISI 316 SS (Standard)	SSL	AISI 316L SS	HTLC	Hastelloy 'C'	MON	MONEL

Code	Process Connection	Code	Process Connection	Code	Process Connection	Code	Process Connection
4BSF	1/4" BSP(F) (Standard)	4NPF	1/4" NPT(F)	4NPM	1/4" NPT(M)	4BSM	1/4" BSP((M)
38BSF	3/8" BSP(F)	2NPF	1/2" NPT(F)	2NPM	1/2" NPT(M)	38BSM	3/8" BSP(M)
2BSF	1/2" BSP(F)					2BSM	1/2" BSP(M) (Standard)

Filling Fluids (* Consult Factory For Specifications, Price And Delivery.)

Code		Code	
US	Flurolube 4.2 [-45 to 175 °C]	UY	Silicon DC 704 [10 to 337 °C]
UT	Flurolube 6.3 [-40 to 235 °C]	UZ	Silicon DC 710 [7 to 371 °C]
UU	Flurolube FS-5 [-28 to 148 °C]	VA	Syltherm 800 [-40 to 315 °C]
UV	Food Grade Oil [-20 to 140 °C]	VB	Syltherm XLT [-100 to 260 °C]
UX	Silicon DC 200 [-40 to 205 °C] (Standard)	VC	Halocarbon Oil*

Remote Mounting (with Capillary Of Max. Up To 2 Mtrs.)

Specify In Meters (e.g. 1.5 = 1.5 METERS 2.0 = 2 METERS)

Code	Capillary	Code	Capillary
SS3	AISI 304 SS	SS	AISI 316 SS

Code	Capillary Covered with Armour (Applicable with PE or PG if selected)
SS3	AISI 304 SS
SS	AISI 316 SS
PVC	PVC (Ambient Temp. Max. 60°C)

Code	Other Options
HLT	Helium Leak Test
TC	Dry Seal Only Without Instrument
MTC	Material Test Certificates*

*Material Test Certificates Will Be Provided For Wetted Parts Only With Chemical Composition Testing. For Others, Please Consult Factory.

For other optional items, please contact factory for delivery and minimum quantity of order.

Note : Specifications and dimensions given in this product catalogue represents the state of engineering at the time of printing. Modifications may take place and materials specified may be replaced by others without prior notice.