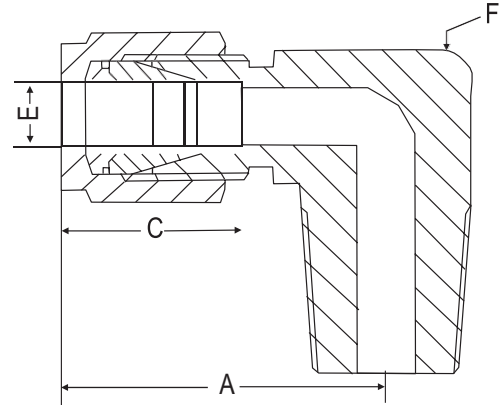




Dimensional Details:



Notes : Drawings are not to scale

Dimensional Details

Dimension, in.

Tube OD	NPT Male Thread Size	Part Number	A	C	E	F
1/8	1/8	S2EM2N	0.93	0.50	0.09	7/16
1/8	1/4	S2EM4N	0.97	0.50	0.09	1/2
1/4	1/4	S4EM4N	1.06	0.60	0.19	1/2
1/4	3/8	S4EM6N	1.17	0.60	0.19	11/16
1/4	1/2	S4EM8N	1.25	0.60	0.19	13/16
3/8	1/4	S6EM4N	1.20	0.66	0.28	5/8
3/8	3/8	S6EM6N	1.23	0.66	0.28	11/16
3/8	3/4	S6EM12N	1.46	0.66	0.28	1 1/16
1/2	1/4	S8EM4N	1.42	0.90	0.28	13/16
1/2	3/8	S8EM6N	1.42	0.90	0.38	13/16
1/2	1/2	S8EM8N	1.42	0.90	0.41	13/16
1/2	3/4	S8EM12N	1.57	0.90	0.41	1 1/16
3/4	1/2	S12EM8N	1.57	0.96	0.47	1 1/16
3/4	3/4	S12EM12N	1.57	0.96	0.62	1 1/16
1	3/4	S16EM12N	1.93	1.23	0.62	1 3/8
1	1	S16EM16N	1.93	1.23	0.88	1 3/8

Dimension, mm.

Tube OD	NPT Male Thread Size	Part Number	A	C	E	F in
6	1/8	SM6EM2N	27.0	15.3	4.8	1/2
6	1/4	SM6EM4N	27.0	15.3	4.8	1/2
6	3/8	SM6EM6N	29.8	15.3	4.8	11/16
6	1/2	SM6EM8N	31.8	15.3	4.8	13/16
8	1/8	SM8EM2N	28.8	16.2	4.8	9/16
8	1/4	SM8EM4N	28.8	16.2	6.4	9/16
8	3/8	SM8EM6N	30.6	16.2	6.4	11/16
8	1/2	SM8EM8N	32.6	16.2	6.4	13/16
10	1/8	SM10EM2N	31.5	17.2	4.8	11/16
10	1/4	SM10EM4N	31.5	17.2	7.1	11/16
10	3/8	SM10EM6N	31.5	17.2	7.9	11/16
10	1/2	SM10EM8N	33.5	17.2	7.9	13/16
12	1/4	SM12EM4N	36.0	22.8	7.1	13/16
12	3/8	SM12EM6N	36.0	22.8	9.5	13/16
12	1/2	SM12EM8N	36.0	22.8	9.5	13/16
12	3/4	SM12EM12N	39.8	22.8	9.5	1 1/16
16	3/8	SM16EM6N	38.0	24.4	9.5	15/16
16	1/2	SM16EM8N	38.0	24.4	11.9	15/16
16	3/4	SM16EM12N	39.8	24.4	12.7	1 1/16
20	1/2	SM20EM8N	44.6	26.0	11.9	1 3/8
20	3/4	SM20EM12N	44.6	26.0	15.9	1 3/8
25	3/4	SM25EM12N	49.1	31.3	15.9	1 3/8
25	1	SM25EM16N	49.1	31.3	21.8	1 3/8

Dimensions and specifications shown are approximate, may vary from time to time.

- Note : 1. A and C dimensions are typical finger-tight
2. Other Threading available on request

Code	Material	Code	Material	Code	Material	Code	Material
CS	Carbon Steel	SS	SS 316	SS3	SS 304	SSL	SS 316L
MON4	Monel 400	MON5	Monel 500	HTLC	Hastelloy C		