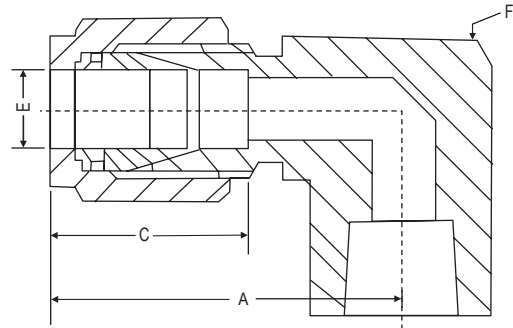


Dimensional Details:



Notes : Drawings are not to scale

Dimensional Details

Dimension, in.

Tube OD	NPT Female Thread Size	Part Number	A	C	E	F
1/8	1/8	S2FE2N	0.97	0.50	0.09	1/2
1/8	1/4	S2FE4N	1.08	0.50	0.09	11/16
1/4	1/8	S4FE2N	1.06	0.60	0.19	1/2
1/4	1/4	S4FE4N	1.17	0.60	0.19	11/16
1/4	3/8	S4FE6N	1.25	0.60	0.19	13/16
1/4	1/2	S4FE8N	1.36	0.60	0.19	1
3/8	1/4	S6FE4N	1.23	0.66	0.28	11/16
3/8	3/8	S6FE8N	1.31	0.60	0.19	1
1/2	1/4	S8FE4N	1.42	0.90	0.41	13/16
1/2	3/8	S8FE6N	1.42	0.90	0.41	13/16
1/2	1/2	S8FE8N	1.53	0.90	0.41	1
3/4	1/2	S12FE8N	1.57	0.96	0.62	1 1/16
3/4	3/4	S12FE12N	1.76	0.96	0.62	1 3/8
1	3/4	S16FE12N	1.93	1.23	0.88	1 3/8
1	1	S16FE16N	2.11	1.23	0.88	1 11/16

Dimension, mm.

Tube OD	NPT Female Thread Size	Part Number	A	C	E	F in
6	1/8	SM6FE2N	27.0	15.3	4.8	1/2
6	1/4	SM6FE4N	29.8	15.3	4.8	11/16
6	1/2	SM6FE8N	34.6	15.3	4.8	1
8	1/4	SM8FE4N	30.6	16.2	6.4	11/16
10	1/8	SM10FE2N	31.5	17.2	7.9	11/16
10	1/4	SM10FE4N	33.5	17.2	7.9	13/16
12	1/4	SM12FE4N	36.0	22.8	9.5	13/16
12	1/2	SM12FE8N	38.8	22.8	9.5	1
16	1/2	SM16FE8N	39.5	24.4	12.7	1 1/16

Dimensions and specifications shown are approximate, may vary from time to time.

Note : 1. A and C dimensions are typical finger-tight

2. Other Threading available on request

Code	Material	Code	Material	Code	Material	Code	Material
CS	Carbon Steel	SS	SS 316	SS3	SS 304	SSL	SS 316L
MON4	Monel 400	MON5	Monel 500	HTLC	Hastelloy C		