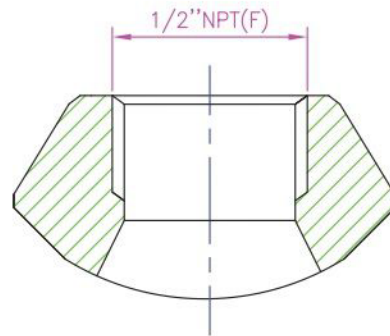
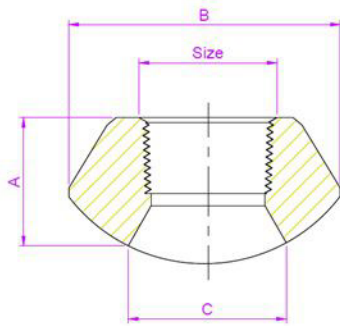




**Types**

- If NPT threads is selected, it is Threadolet.
- If Socket Weld is selected, it is Sockolet.

**Dimensional Details & Specifications**



| Size                    | A            | B            | C            |
|-------------------------|--------------|--------------|--------------|
| <b>Dimensions in MM</b> |              |              |              |
| <b>3/4" NPT(F)</b>      | <b>36.51</b> | <b>49.61</b> | <b>25.4</b>  |
| <b>1" NPT(F)</b>        | <b>39.68</b> | <b>61.91</b> | <b>33.33</b> |

| SPECIFICATIONS - THREADOLET |              |
|-----------------------------|--------------|
| THREADOLET (ASME B16.11)    | FORGED       |
| TYPE                        | TAPER THREAD |
| MOC                         | CARBON STEEL |
| PROCESS CONNECTION          | -            |
| INSTRUMENT CONNECTION       | -            |
| SIZE                        | 1/2"NPT      |

**How To Order - Ordering Example: 6000IF: SKTL.CS.2NPF.150mm**

|                    |   |             |                   |
|--------------------|---|-------------|-------------------|
| <b>Basic Model</b> | <b>6000IF : SKTL</b>                        |             |                   |
| <b>Code</b>        | <b>Material</b>                             |             |                   |
| <b>CS</b>          | Carbon Steel                                |             |                   |
| <b>Code</b>        | <b>Connection</b>                           | <b>Code</b> | <b>Connection</b> |
| <b>2NPF</b>        | ½" NPT Female                               | <b>2SW</b>  | ½" Socket Weld    |
| <b>34NPF</b>       | 3/4" NPT Female                             |             |                   |
| <b>1NPF</b>        | 1" NPT Female                               |             |                   |
| <b>Code</b>        | <b>Run Pipe Size</b>                        |             |                   |
| <b>XX</b>          | Ranges till 12" (As per client requirement) |             |                   |

Other Connections & pipe diameter can be provided on request, please consult factory if required.

Note: Design and Specifications subject to change without prior notice.