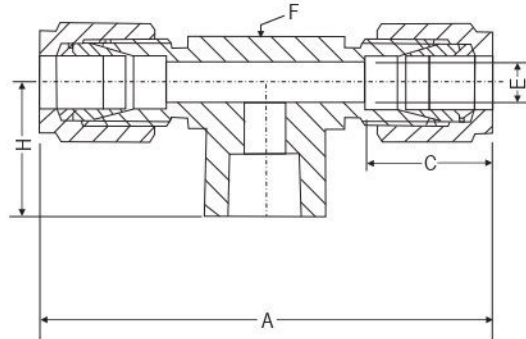




Dimensional Details :



Notes : Drawings are not to scale

**Dimensional Details**

Dimension, in.

Tube OD	NPT Female Thread Size	Part Number	A	C	E	F	H
1/8	1/8	S2TFB2N	1.94	0.50	0.09	1/2	0.75
1/4	1/8	S4TFB2N	2.12	0.60	0.19	1/2	0.75
1/4	1/4	S4TFB4N	2.34	0.60	0.19	11/16	0.88
3/8	1/4	S6TFB4N	2.46	0.66	0.28	11/16	0.88
3/8	3/8	S6TFB6N	2.62	0.66	0.28	13/16	0.88
3/8	1/2	S6TFB8N	2.84	0.66	0.28	1	1.12
1/2	1/4	S8TFB4N	2.84	0.90	0.41	13/16	0.88
1/2	3/8	S8TFB6N	2.84	0.90	0.41	13/16	0.88
1/2	1/2	S8TFB8N	3.06	0.90	0.41	1	1.12
3/4	3/4	S12TFB12N	3.52	0.96	0.62	1 3/8	1.25
1	3/4	S16TFB12N	3.86	1.23	0.88	1 3/8	1.25
1	1	S16TFB16N	4.22	1.23	0.88	1 11/16	1.50

Dimension, mm.

Tube OD	NPT Female Thread Size	Part Number	A	C	E	F in	H
6	1/8	SM6TFB2N	53.9	15.3	4.8	1/2	19.0
6	1/4	SM6TFB4N	59.5	15.3	4.8	11/16	22.4
8	1/8	SM8TFB2N	59.7	16.2	6.4	5/8	19.0
8	1/4	SM8TFB4N	61.2	16.2	6.4	11/16	22.4
10	1/4	SM10TFB4N	67.0	17.2	7.9	13/16	22.4
12	1/4	SM12TFB4N	72.0	22.8	9.5	13/16	22.4
12	3/8	SM12TFB6N	72.0	22.8	9.5	13/16	22.4
16	1/2	SM16TFB8N	77.6	24.4	12.7	1	28.4

NPT Female Thread Size	NPT Female Thread Size	Part Number	A	C	E	F	H
1/2	1/2	S8TFB8N	60	13	10	27	31

Dimensions and specifications shown are approximate, may vary from time to time.

Note : 1. A and C dimensions are typical finger-tight

2. Other Threading available on request