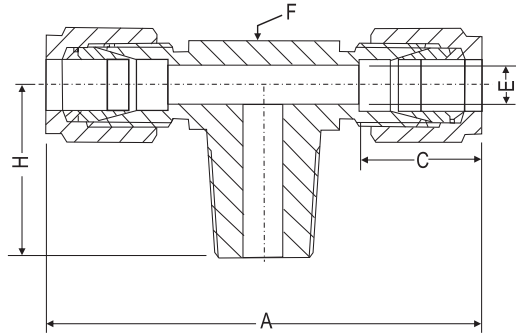




Dimensional Details :



Notes : Drawings are not to scale

Dimensional Details

Dimension, in.

Tube OD	NPT Male Thread Size	Part Number	A	C	E	F	H
1/8	1/8	S2TMB2N	1.86	0.50	0.09	7/16	0.70
1/8	1/4	S2TMB4N	1.94	0.50	0.09	1/2	0.92
1/4	1/8	S4TMB2N	2.12	0.60	0.19	1/2	0.74
1/4	1/4	S4TMB4N	2.12	0.60	0.19	1/2	0.74
3/8	1/4	S6TMB4N	2.40	0.66	0.28	5/8	1.00
3/8	3/8	S6TMB6N	2.62	0.66	0.28	13/16	1.11
1/2	3/8	S8TMB6N	2.84	0.90	0.38	13/16	1.11
1/2	1/2	S8TMB8N	2.84	0.90	0.41	13/16	1.30
3/4	3/4	S12TMB12N	3.14	0.96	0.62	1 1/16	1.45

Dimension, mm.

Tube OD	NPT Male Thread Size	Part Number	A	C	E	F	H
6	1/8	SM6TMB2N	53.9	15.3	4.8	1/2	18.8
6	1/4	SM6TMB4N	53.9	15.3	4.8	1/2	23.4
8	1/8	SM8TMB2N	59.7	16.2	4.8	5/8	20.8
8	1/4	SM6TMB4N	59.7	16.2	6.4	5/8	25.4
10	1/4	SM10TMB4N	67.0	17.2	7.1	13/16	26.2
12	3/8	SM12TMB6N	72.0	22.8	9.5	13/16	28.2
12	1/4	SM12TMB4N	72.0	22.8	7.1	13/16	28.2
12	1/2	SM12TMB8N	72.0	22.8	9.5	13/16	33.0
16	1/2	SM16TMB8N	77.6	24.4	11.9	1	35.8

Dimensions and specifications shown are approximate, may vary from time to time.

- Note : 1. A and C dimensions are typical finger-tight
2. Other Threading available on request