

## Series 2211PG : SBRS SS CASE BRASS PRESSURE GAUGE BOURDON TYPE

SBRS



### Features

- Stainless steel case
- Rugged construction
- Dry or liquid filled
- Standard followed in general EN 837-1

### Applications

- Oil
- Water
- Pneumatics
- Hydraulics
- Pump
- Compressors
- Diesel engines
- Gaseous / Liquid media that will not obstruct the pressure system

### Specifications

#### Standard Version : 50 mm, 63 mm, 80 mm & 100 mm

Accuracy	: ±1.6% of F . S. (For NS 63 mm, 80 mm & 100 mm) & ±2.5% of F . S. (For NS 50 mm)
Case & Bezel	: AISI 304 SS (Rolling Type), Bayonet type for NS 80 mm
Bourdon	: Copper Alloy
Socket	: Copper Alloy
Movement	: Copper Alloy
Joints	: Alloy Brazing / Soldering
Ambient Temperature	: - 20°C to + 65°C
Process Temperature	: Max. 150°C
Operating pressure range	: 75% of Scale Value
Over pressure limit	: ≤ 100 bar : 125% of Max. Scale Value : > 100 to ≤ 600 bar : 115% of Max. Scale Value : > 600 to ≤ 1600 bar : 110% of Max. Scale Value
Protection	: IP 65
Dial	: Aluminium, black graduation on white background
Pointer	: Black coloured fixed
Window	: Plexi Glass
Gasket	: Neoprene / Silicon Rubber
Blow off Disc	: Neoprene

#### Fillable version

Fillable Dampening Liquid	: Glycerine 99.7%
Ambient Temperature	: Maximum 65°C
Process Temperature	: Maximum 65°C
Other Features	: Refer Specification of Standard Version

#### Glycerine filled version

Accuracy	: ±1.6% of F. S.(For NS 63mm, 80mm & 100mm) & ±2.5% of F. S. (For 50 mm)
Ambient Temperature	: Maximum 65°C
Process Temperature	: Maximum 65°C
Window	: Plexi Glass
Dampening Liquids	: Glycerine 99.7%
Other Features	: Refer Specification of Standard Version

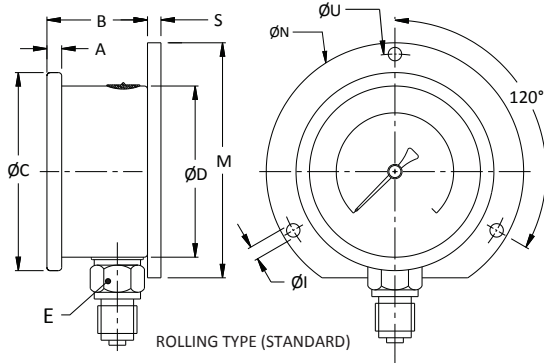
#### Temperature Effect

The variation of indication caused by effects of temperature is to be calculated by below formula; which is to be added in the specified accuracy while measurement :- Formula :  $\pm 0.04 \times (t_2 - t_1) \% \text{ of F. S.}$  where  $t_1$  = reference temperature (+20°C) and  $t_2$  = ambient temperature in °C.

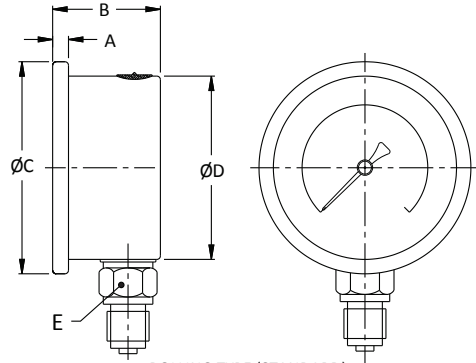
Note: Design and Specifications subject to change without prior notice.

**Dimensions - Standard Version**

Diagram and Code indicates Type of Mounting



ROLLING TYPE (STANDARD)



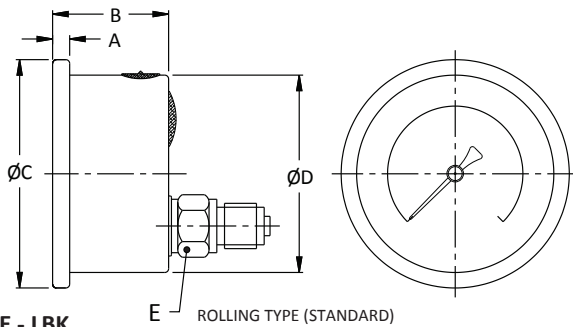
ROLLING TYPE (STANDARD)

**CODE - BMW**

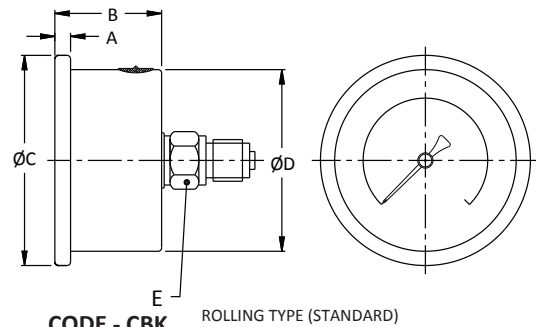
NS	A	B	ØC	ØD	E	S	ØN	ØI	ØU	M	Weight in gram (With Box)	Weight in gram (With Glycerin & Box)
63	6.5	30	68	62.5	A/F 14	6	134	5	76	80	195.0	255.0
100	7	35.5	110	100	A/F 17	4	150	6	118	128	465.0	575.0

**CODE - BM**

NS	A	B	ØC	ØD	E	Weight in gram (With Box)	Weight in gram (With Glycerin & Box)
50	5	29	57	51.5	A/F 14	125.0	185.0
63	6.5	30	68	62.5	A/F 14	155.0	215.0
100	7	35.5	110	100	A/F 17	390.0	500.0



ROLLING TYPE (STANDARD)



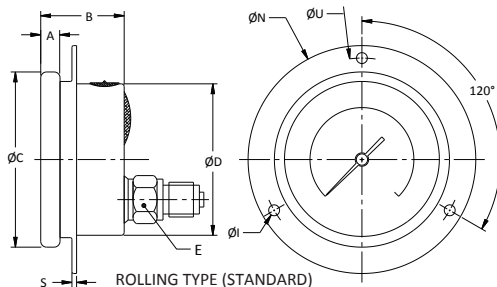
ROLLING TYPE (STANDARD)

**CODE - LBK**

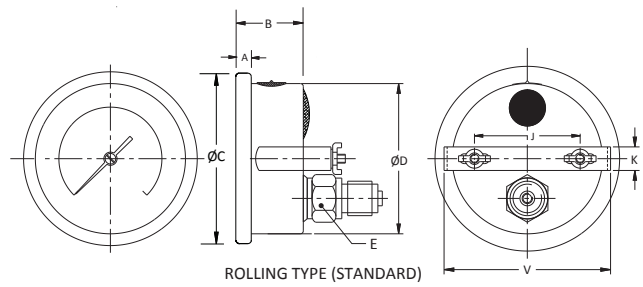
NS	A	B	ØC	ØD	E	Weight in gram (With Box)	Weight in gram (With Glycerin & Box)
100	7	35.5	110	100	A/F 17	410.0	520.0

**CODE - CBK**

NS	A	B	ØC	ØD	E	Weight in gram (With Box)	Weight in gram (With Glycerin & Box)
50	4.5	29	57.5	51.5	A/F 14	118.0	180.0
63	6.5	30	68	62.5	A/F 14	155.0	215.0



ROLLING TYPE (STANDARD)



ROLLING TYPE (STANDARD)

**CODE - LBKFF**

NS	A	B	ØC	ØD	E	S	ØI	ØN	ØU	Weight in gram (With Box)	Weight in gram (With Glycerin & Box)
63	9	31	62	69.5	A/F 14	1	6	85.5	76	211.0	270.0
100	9	35.5	100	110	A/F 17	1	6	134	118	460.0	570.0

**CODE - LBKBR**

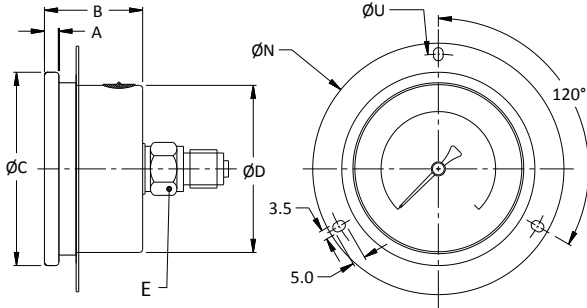
NS	A	B	ØD	ØC	E	J	K	V	Weight in gram (With Box)	Weight in gram (With Glycerin & Box)
100	7	35.5	100	110	A/F 17	66.5	16	106	550.0	670.0

For other optional items, please contact factory for delivery and minimum quantity of order.

Note: Design and Specifications subject to change without prior notice.

**Dimensions - Standard Version**

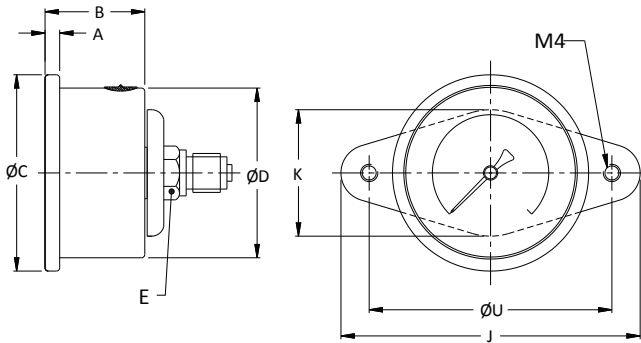
Diagram and Code indicates Type of Mounting



ROLLING TYPE (STANDARD)

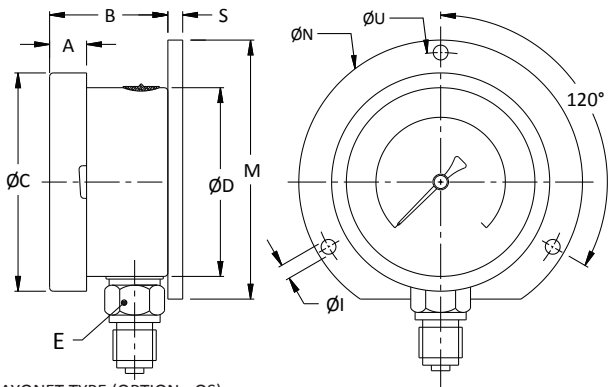
**CODE - CBKFF**

NS	A	B	ØC	ØD	E	ØN	ØU	Weight in gram (With Box)	Weight in gram (With Glycerin & Box)
63	6.5	30	68	62.5	A/F 14	85.5	76	216.0	276.0

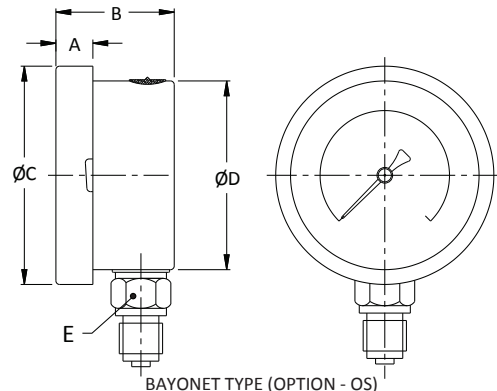


**CODE - CBKBR**

NS	A	B	ØC	ØD	E	J	K	ØU	Weight in gram (With Box)	Weight in gram (With Glycerin & Box)
50	5	29	57	51.5	A/F 14	91	38	70.5	160.0	200.0
63	6.5	30	68	62.5	A/F 14	91	38	70.5	195.0	255.0



BAYONET TYPE (OPTION - OS)



BAYONET TYPE (OPTION - OS)

**CODE - BMW**

NS	A	B	ØC	ØD	E	S	ØN	ØI	ØU	M	Weight in gram (With Box)	Weight in gram (With Glycerin & Box)
63	10	30	69.5	62.5	A/F 14	5	88	5	76	80	207.0	267.0
80	11	35	89.5	80	A/F 14	4	110	5	94	95	300.0	380.0
100	12.5	39	110	100	A/F 17	6	134	6	118	128	510.0	630.0

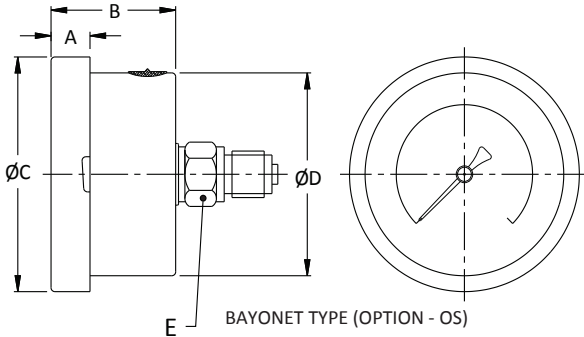
**CODE - BM**

NS	A	B	ØC	ØD	E	Weight in gram (With Box)	Weight in gram (With Glycerin & Box)
50	10	31	59	51	A/F 14	136.0	200.0
63	9	31	69.5	62.5	A/F 14	165.0	225.0
80	11	35	89.5	80	A/F 14	250.0	330.0
100	12.5	39	110	100	A/F 17	390.0	520.0

Note: Design and Specifications subject to change without prior notice.

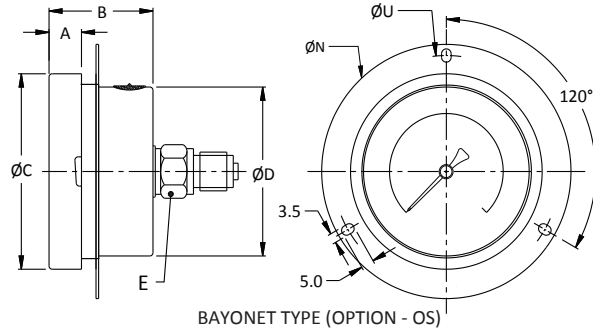
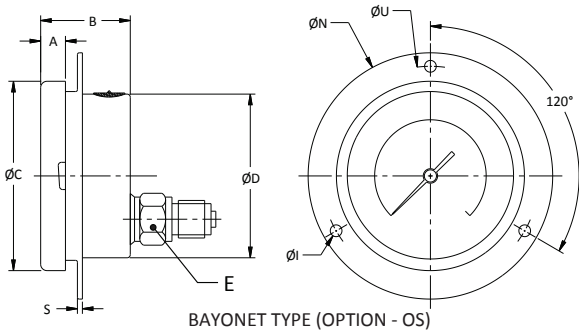
**Dimensions - Standard Version**

Diagram and Code indicates Type of Mounting



**CODE - CBK**

NS	A	B	ØC	ØD	E	Weight in gram (With Box)	Weight in gram (With Glycerin & Box)
50	10	31	59	51	A/F 14	162.0	225.0
63	10	31	69.5	62.5	A/F 14	172.0	230.0
80	11	35	89.5	80	A/F 14	240.0	320.0

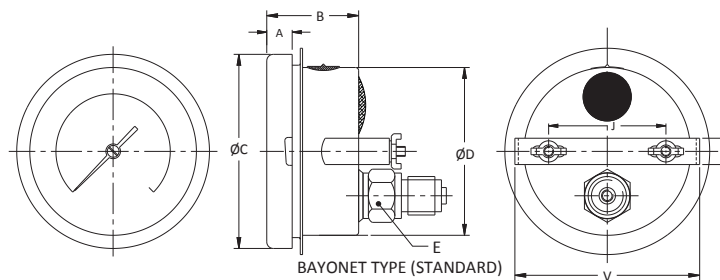


**CODE - LBKFF**

NS	A	B	ØC	ØD	E	S	ØI	ØN	ØU	Weight in gram (With Box)	Weight in gram (With Glycerin & Box)
63	9	31	62.5	69.5	A/F 14	1	6	85.5	76	211.0	270.0
100	12.5	35.5	100	110	A/F 14	1	6	134	118	460.0	600.0

**CODE - CBKFF**

NS	A	B	ØC	ØD	E	ØN	ØU	Weight in gram (With Box)	Weight in gram (With Glycerin & Box)
63	9	31	69.5	62.5	A/F 14	85.5	76	211.0	280.0



**CODE - LBKBR**

NS	A	B	ØD	ØC	E	J	K	V	Weight in gram (With Box)	Weight in gram (With Glycerin & Box)
100	12.5	39	100	110	A/F 17	66.5	16	106	550.0	670.0

Notes : • Drawings are not to scale. • All Dimensions are in mm . • NS = Nominal Seize  
• Weights mentioned are approximate and for standard product. Weight can be dif ferent after selection of options.

Note: Design and Specifications subject to change without prior notice.

## Range Table

Note: We offer Pressure ranges, Vacuum ranges and Compound ranges in Scales like kPa, MPa, bar, psi, kg/cm<sup>2</sup> & Dual Scale like kPa with psi, 2kPa with bar, bar with psi or scales as per the requirement can be provided on request. Following are the example tables for kg/cm<sup>2</sup> & psi scales

## Pressure Range

### Nominal Sizes

Range (psi with kg/cm <sup>2</sup> )		50	63	80	100
psi	kg/cm <sup>2</sup>				
-30 inHg to 0	-760 mmHg to 0				
0 to 15 psi	0 to 1 kg/cm <sup>2</sup>				
0 to 30 psi	0 to 2 kg/cm <sup>2</sup>				
0 to 60 psi	0 to 4 kg/cm <sup>2</sup>				
0 to 100 psi	0 to 7 kg/cm <sup>2</sup>				
0 to 150 psi	0 to 10 kg/cm <sup>2</sup>				
0 to 220 psi	0 to 16 kg/cm <sup>2</sup>				
0 to 300 psi	0 to 21 kg/cm <sup>2</sup>				
0 to 400 psi	0 to 28 kg/cm <sup>2</sup>				
0 to 500 psi	0 to 35 kg/cm <sup>2</sup>				
0 to 600 psi	0 to 42 kg/cm <sup>2</sup>				
0 to 1000 psi	0 to 70 kg/cm <sup>2</sup>				
0 to 1500 psi	0 to 100 kg/cm <sup>2</sup>				
0 to 2200 psi	0 to 160 kg/cm <sup>2</sup>				
0 to 3000 psi	0 to 210 kg/cm <sup>2</sup>				
0 to 4000 psi	0 to 280 kg/cm <sup>2</sup>				
0 to 5000 psi	0 to 350 kg/cm <sup>2</sup>				
0 to 6000 psi	0 to 400 kg/cm <sup>2</sup>				
- 30inHg /15	- 1/1 kg/cm <sup>2</sup>				
- 30inHg /30	- 1/2 kg/cm <sup>2</sup>				
- 30inHg /60	- 1/4 kg/cm <sup>2</sup>				
- 30inHg /100	- 1/7 kg/cm <sup>2</sup>				
- 30inHg /150	- 1/10 kg/cm <sup>2</sup>				
- 30inHg /200	- 1/14 kg/cm <sup>2</sup>				
- 30inHg /300	- 1/21 kg/cm <sup>2</sup>				

### Freon (with temperature scale)

Note : For temperature scales, please provide refrigerant name.

- 30" Hg / 150 psi					
- 30" Hg / 300 psi					
0 to 300 psi					
0 to 500 psi					

### Accessories (Refer Datasheet For Complete Specifications)

Code	Accessories	Code	Accessories
GC	Gauge Cock	PD	Snubber
GS	Over Load Protector (Gauge Saver)**	SYP	Siphon
NV	Needle Valve*		

\* Refer catalogue for Valves & Manifolds

\*\* For Pressure Ranges.

Note: Design and Specifications subject to change without prior notice.

**How To Order - 2211PG : SBRS.100.BM.4NPM.0 to 10bar/psi.DG**

Basic Model		2211PG : SBRS			
Code		50	63	80	100
Nominal Size		50mm	63mm	80mm	100mm
Code	Type of Mounting	50	63	80	100
BMW	Wall, surface, projection mounting with bottom entry				
BM	Direct bottom entry				
LBK	Direct lower back entry				
CBK	Direct center back entry				
LBKFF	Lower back entry with front flange				
BMFF	Lower back entry with mounting bracket				
CBKFF	Center back entry with front flange				
CBKBR	Center back entry with mounting bracket	*	*		

Note : \*Applicable for Rolling type design only

Code	Gauge Connection	50	63	80	100
8BSM	1/8" BSP(M)				
8NPM	1/8" NPT(M)				
8BSTM	1/8" BSPT(M)				
4BSM	1/4" BSP(M)				
4NPM	1/4" NPT(M)				
4BSTM	1/4" BSPT(M)				
38BSM	3/8" BSP(M)				
38NPM	3/8" NPT(M)				
38BSTM	3/8" BSPT(M)				
2BSM	1/2" BSP(M)			*	*
2NPM	1/2" NPT(M)			*	*
2BSTM	1/2" BSPT(M)			*	*

\* These connections will be provided on request. Consult factory for minimum order quantity , price & delivery

Note : Connections like Metric/ PT/ PF/ Flaired/ UNF/ G/ R etc. can be provided on request.

Range			
Refer Range Table			
Code	Options	Code	Options
CD	Custom designed dial	ST	SS tag plate
OS	Oxygen service (for dry version)	HLT	Helium leak test
CS	Five point calibration certificate	FG	Fillable liquid glycerine
DG	Dampening liquid glycerine filled	IDSB	Integral dampening screw (brass)
25BOD	25 mm BOD (except mounting CBK, CBKFF, CBKBR)*	ZC	Freon Range (with temperature scale)*
OS	Case with bayonet type bezel***	SG	Shatterproof glass/ safety glass (for bayonet type design)*
EP66	Enclosure protection IP 66***	TG	Toughened glass (for bayonet type design)*
EP67	Enclosure protection IP 67***	MJ	Movement with dampening jelly*

\* Applicable for NS 63 mm, 80 mm & 100 mm.

\*\*\*Applicable for NS 50 mm, 63 mm & 100 mm.

For other optional items, please contact factory for delivery and minimum quantity of order.

25 mm BOD (except mounting 4, 12 & 13)\*