

Series 2211ACC : GS

Overload Protector (Gauge Saver)

All stainless steel

GS



Features

- Nominal pressure up to 400 kg/cm²
- 7 different adjustable ranges
- Over pressure up to 600 kg/cm²
- Bellow type & piston type models

Applications

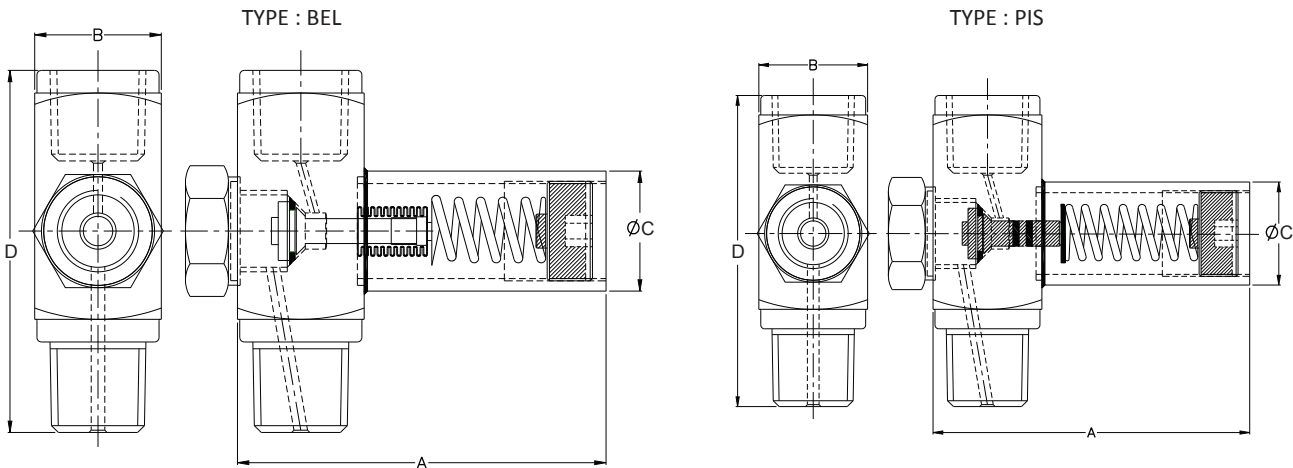
- Designed to protect pressure instruments from over pressure exceeding the specified pressure range by sudden & excessive pressure fluctuation from surge or spike.
- This device blocks the higher pressure exceeding the allowed value, until it comes back to normal, when system pressure becomes normal.
- Hence this device safeguards the pressure instruments, gauges, switches or transmitters by blocking extra high pressure.
- Widely used in mechanical engineering and plant construction, power stations, mining, environmental technology, chemical and petrochemical, on shore & off shore.

Specifications

Standard Version

Overload Protector Type	: BEL: Bellow Type : PIS: Piston Type
Adjustable Range	: BEL: 0.6 kg/cm ² to 2.5 kg/cm ² : PIS: 4 kg/cm ² to 400 kg/cm ²
'O' Ring	: Viton
Maximum Working pressure	: 600 kg/cm ²
Operating Temperature	: -20°C to 120°C
Material of construction	: AISI 316 SS

Dimensional Details



A	B	ØC	D	Weight in gram (With Box)
89	28 Sq.	26.5	80	500

A	B	ØC	D	Weight in gram (With Box)
89	28 Sq.	26.5	80	490

- Notes :
- Drawings are not to scale.
 - All dimensions are in mm.

How To Order - Ordering Example : 2211ACC : GS.PIS -7 to 16bar.SS.2NPM.2NPF

Basic Model		2211ACC : GS
Type	Adjustable Range (kg/cm ² or bar)	
Bellow (BEL)	0.6 to 2.5	
Piston (PIS)	4 to 6	
Piston (PIS)	7 to 16	
Piston (PIS)	10 to 40	
Piston (PIS)	30 to 80	
Piston (PIS)	60 to 160	
Piston (PIS)	100 to 400	

Note: Please specify required pressure range or adjustable pressure range while ordering. Otherwise the protector will be set to first value of adjustable range table.

Code	Body Material	Code	Body Material	Code	Body Material
SS	AISI 316 SS (Standard)	MON	Monel	HTLC	Hastelloy C

Code	Process Connection	Code	Process Connection	Code	Process Connection
4BSF.4BSF	1/4" BSP (M x F)	38BSM.38BSM	3/8" BSP (M x F)	2BSM.2BSF	1/2" BSP (M x F) (Standard)
4NPM.4NPF	1/4" NPT (M x F)	38NPM.38NPF	3/8" NPT (M x F)	2NPM.2NPF	1/2" NPT (M x F) (Standard)
2M20M.2M20F	M20 x 1.5 (M x F)				

Note : Connections like Metric/ PT/ PF/ Flaired/ UNF/ G/ R etc can be provided on request.

Code	Options	Code	Options	Code	Options
MTC	Material test certificates**	OS	Oxygen service*	CN	Conformity as per NACE Standard

* Applicable for Stainless Steel version.

** Material test certificates will be provided for wetted parts only with chemical composition testing. For others, Please consult factory.