



Features

- CE & Atex approved electrical contacts
- Stainless steel case & measuring system
- Filled version available
- Standard followed in general EN 1-837

Applications

- To control the electrical operation of compressors
- Pumps
- Motors
- Presses
- Hydraulic
- Pneumatic equipments
- Chemicals
- Petrochemical plants

Specifications

Standard Version : 100 mm & 150 mm

Accuracy	:	%1.0± of F. S.
Case & Bezel	:	AISI 304 SS (Bayonet Type)
Bourdon	:	AISI 316L SS
Socket	:	AISI 316L SS (Directly welded to case)
Movement	:	AISI 304 SS
Joints	:	Tig Argon Arc Welding
Ambient temperature	:	°20-C to °65+C
Process temperature	:	Max. °100C
Electric wiring	:	DIN Connector
Contact setting	:	Over on arc of °270 through a knob placed on front of lens
Operating pressure range	:	%75 of Scale Value
Protection	:	IP 65
Dial	:	Aluminum, black graduation on white background
Pointer	:	Aluminum, black coloured micrometer zero adjustable
Window	:	Polycarbonate Dome
Electrical Contacts*	:	Refer How to Order
Blow off Disc	:	Neoprene
Gasket & Filling Plug	:	Neoprene

* Please specify contact set points while ordering.

Dielectric Oil Filled Version

Accuracy	:	%1.6± of F. S.
Ambient Temperature	:	Maximum °65C
Process Temperature	:	°15+C / °65C
Window	:	Plexi glass
Blow off Disc*	:	Viton
Gasket & Filling Plug*	:	Viton
Dampening Liquids	:	Dielectric Oil
Other Features	:	Refer Specification of Standard Version

*BOD, Gasket & Filling plug of Viton

Temperature Effect

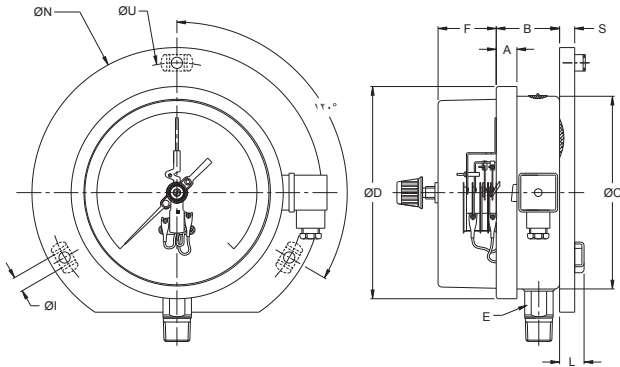
The variation of indication caused by effects of temperature is to be calculated by below formula; which is to be added in the specified accuracy while measurement :- Formula : $\pm 0.04 \times (t_2 - t_1) \%$ of F. S. where t_1 = reference temperature (°20+C) and t_2 = ambient temperature in °C.

Note: The addition of mechanical electric contacts affects the accuracy of instruments such that %1 becomes %1.6, %1.5 becomes %2.4 etc. (Add the %50 of accuracy; If the contact is of the magnetically assisted type, this value can't be added within the ±5% of setting point.)

Note: Design and Specifications subject to change without prior notice.

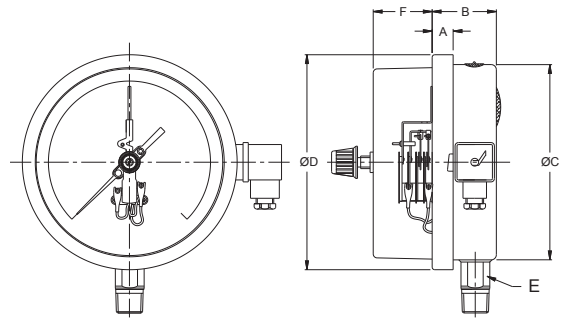
Dimensions - Standard Version

Diagram and Code indicates Type of Mounting



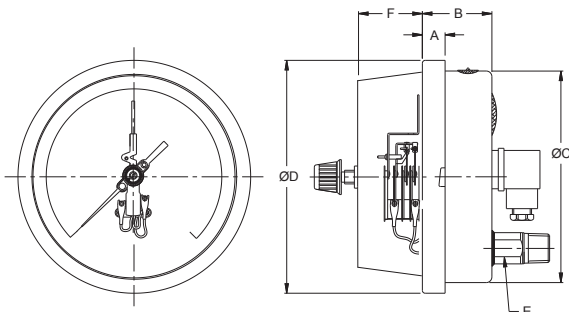
CODE - BMW

NS	A	B	ØC	ØD	E	F	ØI	ØN	ØU	L	S	Weight in gram (With Box)
1..	12.0	40	1..	111	22	44	6	134	118	14.0	6	89..
10.	10	46.0	149	161	22	44	6	186	168	14.0	6	137..



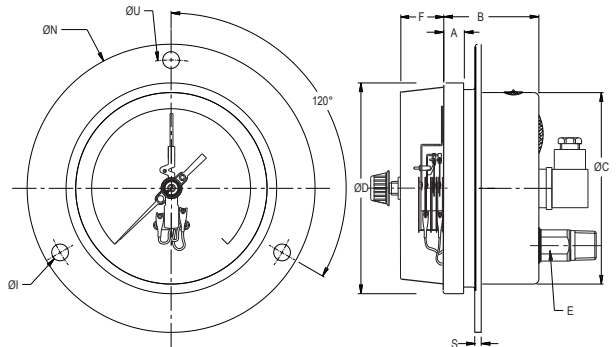
CODE - BM

NS	A	B	ØC	ØD	E	F	Weight in gram (With Box)
1..	12.0	47	1..	111	22	44	80..
10.	10	49	149	161	22	44	120..



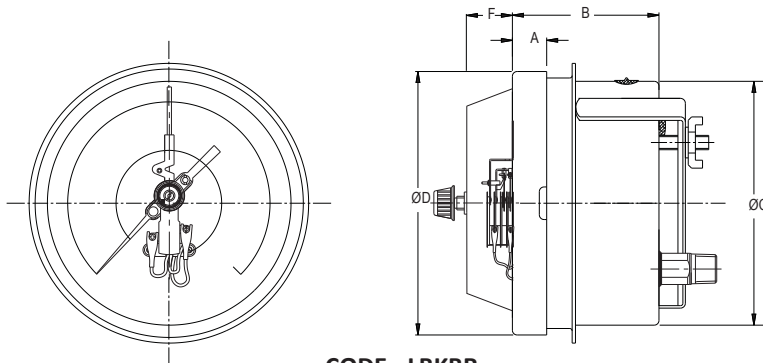
CODE - LBK

NS	A	B	ØC	ØD	E	F	Weight in gram (With Box)
1..	12.0	47	1..	111	22	44	79..
10.	10	49	149	161	22	44	114..



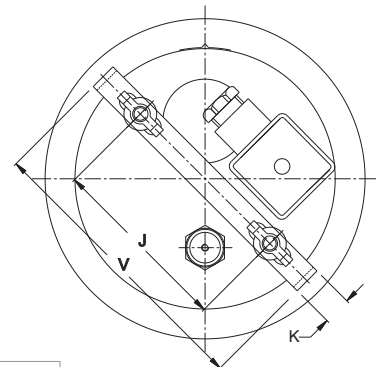
CODE - LBKFF

NS	A	B	ØC	ØD	E	F	ØI	ØN	ØU	Weight in gram (With Box)
1..	12.0	47	1..	111	A/F 22	44	6	134	118	86..
10.	10	49	149	161	A/F 22	44	6	186	168	130..



CODE - LBKBR

NS	A	B	ØC	ØD	E	F	J	K	V	Weight in gram (With Box)
1..	12.0	47	1..	111	A/F 22	44	72	16	1.08	87..
10.	10	49	149	161	A/F 22	44	106.0	16	166	124..

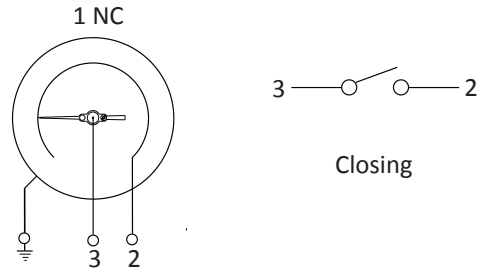
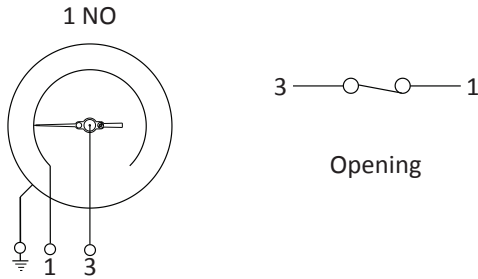


Note: Design and Specifications subject to change without prior notice.

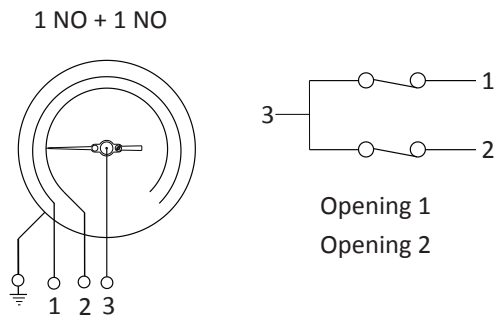
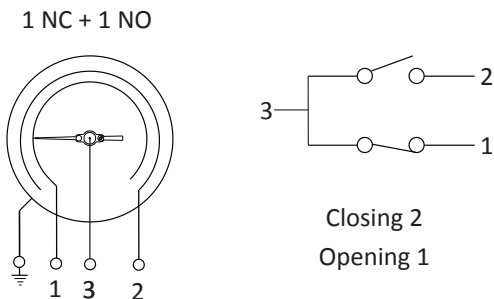
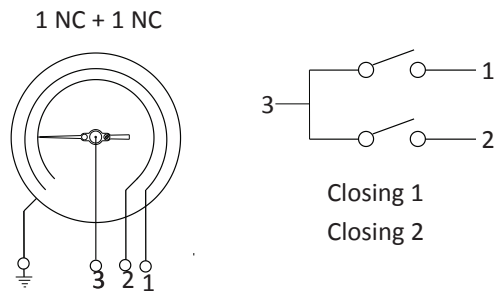
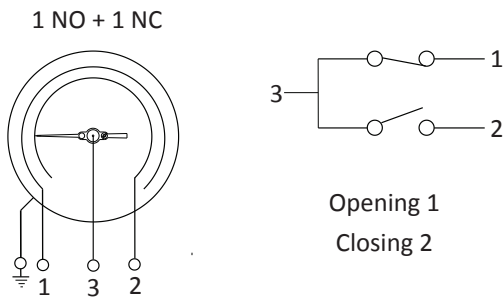
Wiring Diagrams

Wiring diagrams for electric contacts

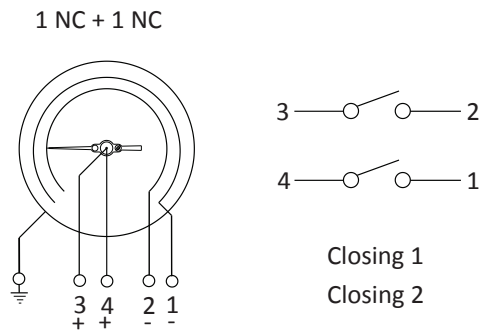
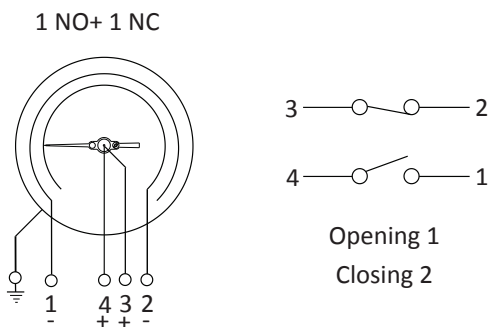
Single Contact



Double contact



Independent double contact



Range Table

Note : We offer Pressure, Vacuum and Compound ranges in Scales like kPa, MPa, bar , psi, kg/cm² & Dual Scale like kPa with psi, kPa with bar, bar with psi or scales as per the requirement can be provided on request. Following are the example tables for kg/cm² & psi scales

Pressure & Compound

Pressure - single scale (kg/cm ² or bar)				Compound - single scale (kg/cm ² or bar)	
0 to 1.6	0 to 10	0 to 60	0 to 400		
0 to 2.5	0 to 16	0 to 100	0 to 600		-1 to 5
0 to 4	0 to 25	0 to 160	0 to 1000		-1 to 9
0 to 6	0 to 40	0 to 250	0 to 1600		-1 to 15

Dual scale (psi with kg/cm²)

psi	kg/cm ²	psi	kg/cm ²	psi	kg/cm ²	psi	kg/cm ²
0 to 25	0 to 1.6	0 to 220	0 to 16	0 to 1500	0 to 100	0 to 10000	0 to 700
0 to 35	0 to 2.5	0 to 300	0 to 20	0 to 2200	0 to 160	0 to 15000	0 to 1000
0 to 60	0 to 4	0 to 400	0 to 28	0 to 3000	0 to 200	0 to 22000	0 to 1600
0 to 100	0 to 7	0 to 600	0 to 40	0 to 4000	0 to 280		
0 to 150	0 to 10	0 to 1000	0 to 70	0 to 6000	0 to 400		

Accessories (Refer Datasheet For Complete Specifications)

Code	Accessories	Code	Accessories	Code	Accessories
PD	Cooling Tower	GS	Over Load Protector (Gauge Saver)**	PD	Snubber
GC	Gauge Cock	*	Needle Valve	SYP	Syphon

* Refer catalogue for Valves & Manifolds

** For Pressure Ranges.

How To Order - Ordering Example: 2211PG: ECLC.100.BMW.RA.2NPM.0 to 100psi.C5

Basic Model		2211PG : ECLC	
Code	Nominal Size	Code	Nominal Size
100	100 mm	150	150 mm

Code	Type Of Mounting	Code	Type Of Mounting
BMW	Wall, surface, projection mounting with bottom entry	LBKFF	Flush panel back entry with front flange Back
BM	Direct bottom entry	LBKBR	Back entry with mounting bracket
LBK	Direct lower back entry		

Electric Contacts (CE& Atex approved)	
A) Single insulated magnetic snap action type (230 V AC, 1 Amp.)(48 V DC, 0.5 Amp.)	B) Inductive type (220 VAC, 0.4 Amp.)
RJ Single; normally closed (1 NC)	YW Single; normally open (1 NO)
RK Double; normally closed + normally open (1 NC 1+ NO)	YV Single; normally closed (1 NC)
RL Single; normally open (1 NO)	YX Double; normally closed + normally open (1 NC 1+ NO)
RM Double; normally open + normally closed (1 NO + 1 NC)	YY Double; normally open (both NO)
RN Double; normally closed (both NC)	YZ Double; normally closed (both NC)
RO Double; normally open (both NO)	ZA Double; normally open + normally closed (1 NO + 1 NC)
RU Booster with relay for current upto 5Amp.	
RA SPDT	
RC DPDT	

Note: Design and Specifications subject to change without prior notice.

Code	Gauge Connection
38BSM	8/3" BSP (M) (Standard)
4NPM	4/1" NPT (M)
2NPM	½" NPT (M) (Standard)
2BSTM	½" BSPT (M)
2BSM	½" BSP (M) (Standard)
2M20	M20 x 1.5 (M)

Note : Connections like Metric/ PT/ PF/ Flaired/ UNF/ G/ R etc can be provided on request.

Range
Refer Range Table

Code	Options	Code	Options
MV	Monel bourdon & socket (Monel version)**	IDS	Integral dampening screw (AISI 316 SS)
SS	AISI 316 SS case & bezel*	IDM	Integral dampening screw (Monel)**
C5	Five point calibration certificate	VS	Internal vacuum stop
ZZ	Dielectric oil filled#	MJ	Movement with dampening jelly
ST	SS tag plate		
HLT	Helium leak test		
MTC	Material test certificates***		
CN	Conformity as per NACE standard		
CD	Custom designed dial##		

* Consult factory for minimum order quantity & delivery . # BOD, gasket & filling plug of Viton.

**Integral dampening screw will be in monel if ordered. Refer option IDM. ## Consult factory for dial design approval.

*** Material test certificates will be provided for wetted parts only with chemical composition testing.

For others, Please consult factory.