



Features

- Economical version
- General purpose application

Applications

- HVAC
- Filter-Regulator-Lubricator (FRL) Units
- Water
- Air
- Allied process industries
- Hydraulic
- Pneumatics
- Valve positioner
- Sugar mills
- Irrigation Equipment

Specifications

Standard Version : 40 mm, 50 mm, 63 mm, 80 mm, 100 mm, 150 mm & 250 mm

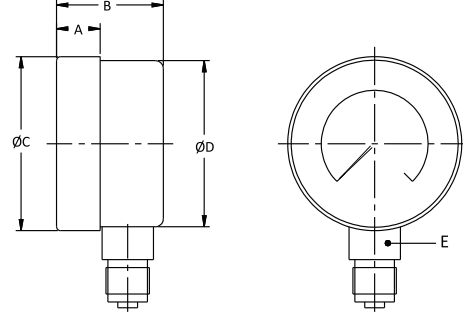
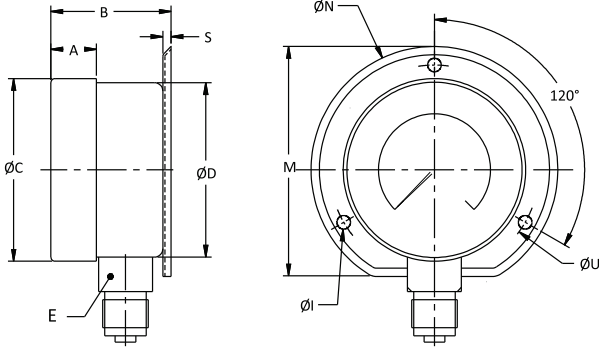
Accuracy	: ±1.6% of F. S. (For NS 63 mm, 80 mm, 100 mm, 150 mm & 250 mm)	
	: ±2.5% of F. S. (For NS 40 mm & 50 mm)	
Case	: Steel, Powder coated / painted (Push Fit Type)	
Bourdon	: Copper Alloy	
Socket	: Copper Alloy	
Movement	: Copper Alloy	
Joints	: Alloy brazing / soldering	
Ambient Temperature	: - 20°C to + 65°C	
Process Temperature	: Max. 150°C	
Operating pressure range	: 75% of Scale Value	
Over pressure limit	: ≤ 100 bar	: %125 of Max. Scale Value
	: > 100 to ≤ 600 bar	: 115% of Max. Scale Value
	: > 600 to ≤ 1600 bar	: 110% of Max. Scale Value
Dial	: Aluminium, black graduation on white background	
Pointer	: Black Coloured, Fixed	
Window	: Sheet Glass	

Temperature effect :

The variation of indication caused by effects of temperature is to be calculated by below formula; which is to be added in the specified accuracy while measurement :- Formula : $\pm 0.04 \times (t_2 - t_1) \% \text{ of F. S.}$
where t1 = reference temperature (+20°C) and t2 = ambient temperature in °C.

Dimensions - Standard Version

Diagram and Code indicates Type of Mounting

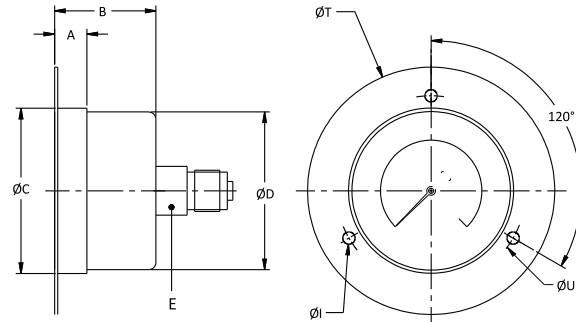
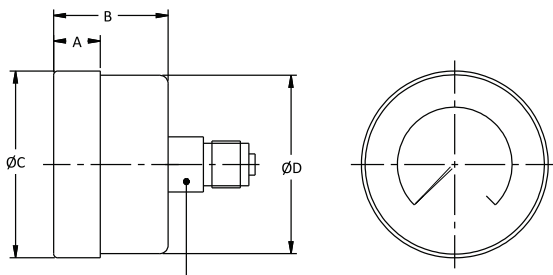


CODE - BMW

NS	A	B	ØC	ØD	E	M	S	ØN	ØU	ØI	Weight in gram (With Box)
63	12	30	63	62	14	80	5	88	76	5	160.0
80	12	40	78	76	14	100	5	115	98	5	250.0
100	13	36	99	97	17	117	1.2	132	118	6	405.0
150	16	47.5	155	154	17	181	7	195.5	-	-	730.0
250	37.5	55	252	249	22	280	8	288.5	-	-	2300.0

CODE - BM

NS	A	B	ØC	ØD	E	Weight in gram (With Box)
40	10	26.5	44	42	12	82.0
50	10	29	53	52	14	101.0
63	12	29	63	62	14	120.0
80	12	35	78	76	14	195.0
100	13	35	99	97	17	343.0
150	16	43	155	154	17	695.0
250	37.5	51	252	249	22	2100.0

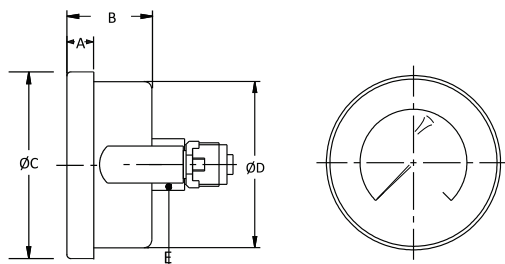


CODE - CBK

NS	A	B	ØC	ØD	E	Weight in gram (With Box)
40	7	24	42	41	11	69.0
50	11	29	54	52	14	148.0
63	12	29.5	67	65.5	14	174.0
80	12	35	78	76	14	190.0
100	13	36	99	97	17	343.0
150	16	43	155	154	17	663.0

CODE - CBKFF

NS	A	B	ØC	ØD	E	ØT	ØU	ØI	Weight in gram (With Box)
50	12	29	54	52	14	90	71	4	175.0
63	12	31	63	62	14	90	76	4	210.0
100	14	33	99	97	17	134	117	4	445.0
150	16	37	155	154	17	184	170	5	581.0



CODE - CBKBR

NS	A	B	ØC	ØD	E	Weight in gram (With Box)
50	11	29	54	52	14	210.0
63	12	29.5	67	65.5	14	240.0
100	13	36	99	97	17	390.0
150	16	43	155	154	17	700.0

Notes : • Drawings are not to scale. • All Dimensions are in mm. • NS = Nominal Size.

Note: Design and Specifications subject to change without prior notice.

Range Table

Note : We offer National / International Scales like kPa, MPa, bar, psi, kg/cm² & Dual Scale like kPa with psi, kPa with bar, bar with psi or equivalent scales as per the requirement can be provided on request.

Following are the example tables for kg/cm² & psi scales

Range with nominal sizes

Nominal Sizes		40	50	63	80	100	150	250
Range (psi with kg/cm²)								
Range psi	Range kg/cm²							
Vacuum								
-30 inHg to 0	-760 mmHg to 0	✓	✓	✓	✓	✓	✓	✓
Pressure								
0 to 15 psi	0 to 1 kg/cm ²	✓	✓	✓	✓	✓	✓	✓
0 to 30 psi	0 to 2 kg/cm ²	✓	✓	✓	✓	✓	✓	✓
0 to 60 psi	0 to 4 kg/cm ²	✓	✓	✓	✓	✓	✓	✓
0 to 100 psi	0 to 7 kg/cm ²	✓	✓	✓	✓	✓	✓	✓
0 to 150 psi	0 to 10 kg/cm ²	✓	✓	✓	✓	✓	✓	✓
0 to 220 psi	0 to 16 kg/cm ²	×	✓	✓	✓	✓	✓	✓
0 to 300 psi	0 to 21 kg/cm ²	×	✓	✓	✓	✓	✓	✓
0 to 400 psi	0 to 28 kg/cm ²	×	✓	✓	✓	✓	✓	✓
0 to 500 psi	0 to 35 kg/cm ²	×	✓	✓	✓	✓	✓	✓
0 to 600 psi	0 to 42 kg/cm ²	×	✓	✓	✓	✓	✓	✓
0 to 1000 psi	0 to 70 kg/cm ²	×	✓	✓	✓	✓	✓	✓
0 to 1500 psi	0 to 100 kg/cm ²	×	✓	✓	✓	✓	✓	✓
0 to 2200 psi	0 to 160 kg/cm ²	×	✓	✓	✓	✓	✓	✓
0 to 3000 psi	0 to 210 kg/cm ²	×	✓	✓	✓	✓	✓	✓
0 to 4000 psi	0 to 280 kg/cm ²	×	✓	✓	✓	✓	✓	✓
0 to 5000 psi	0 to 350 kg/cm ²	×	✓	✓	✓	✓	✓	✓
0 to 6000 psi	0 to 400 kg/cm ²	×	✓	✓	✓	✓	✓	✓
Compound								
-30 inHg/15	-1 to 1 kg/cm ²	×	×	×	×	✓	✓	✓
-30 inHg /30	-1 to 2 kg/cm ²	×	×	×	×	✓	✓	✓
-30 inHg /60	-1 to 4 kg/cm ²	×	×	×	×	✓	✓	✓
-30 inHg /100	-1 to 7 kg/cm ²	×	×	×	×	✓	✓	✓
-30 inHg /150	-1 to 10 kg/cm ²	×	×	×	×	✓	✓	✓
-30 inHg /200	-1 to 14 kg/cm ²	×	×	×	×	✓	✓	✓
-30 inHg /300	-1 to 21 kg/cm ²	×	×	×	×	✓	✓	✓

Freon with temperature scale (Note : For temperature scales, please provide refrigerant name.)

-30" Hg to 150 psi	×	×	✓	×	✓	×	×
-30" Hg to 300 psi	×	×	✓	×	✓	×	×
0 to 300 psi	×	×	✓	×	✓	×	×
0 to 500 psi	×	×	✓	×	✓	×	×

Accessories (Refer Datasheet For Complete Specifications)

Code	Accessories	Code	Accessories	Code	Accessories
GC	Gauge Cock	PD	Snubber	SYP	Siphon

Note: Design and Specifications subject to change without prior notice.

How To Order - 2211PG : GP.50.BM.8NPM.0/10 kg/cm² .CD

Basic Model	2211PG : GP						
Code	40	50	63	80	100	150	250
Nominal Size	40mm	50mm	63mm	80mm	100mm	150mm	250mm

Code	Type of Mounting	40	50	63	80	100	150	250
BMW	Wall, surface, projection mounting with bottom entry	×	×	✓	✓	✓	✓	✓
BM	Direct bottom entry	✓**	✓	✓	✓	✓	✓	✓
CBK	Direct center back entry	✓	✓	✓	✓	✓	✓	×
CBKFF	Center back entry with front flange	×	✓	✓	×	✓	✓	×
CBKBR	Center back entry with mounting bracket	×	✓*	✓*	×	✓	✓	×

Note : *These gauges will have crimped bezel / ring.

** Minimum preferred quantity shall be 100 nos.

Code	Gauge Connection	40	50	63	80	100	150	250
8BSM	1/8" BSP(M)	✓	✓	×	×	×	×	×
8NPM	1/8" NPT(M)	✓	✓	✓#	×	×	×	×
8BSTM	1/8" BSPT(M)	✓	✓	×	×	×	×	×
8BSTM	1/4" BSP(M)	×	✓*	✓	✓	×	×	×
4NPM	1/4" NPT(M)	×	✓*	✓	✓	×	×	×
4BST M	1/4" BSPT(M)	×	✓*	✓	✓	×	×	×
38BSM	3/8" BSP(M)	×	×	×	✓	✓	✓	×
38NPM	3/8" NPT(M)	×	×	×	×	✓	✓	×
38BSTM	3/8" BSPT(M)	×	×	×	×	✓	✓	×
2BSM	1/2" BSP(M)	×	×	×	×	✓*	✓*	✓
2NPM	1/2" NPT(M)	×	×	×	×	✓*	✓*	✓
2BSTM	1/2" BSPT(M)	×	×	×	×	✓*	✓*	✓
2MM	M20 X 1.5(M)	×	×	×	×	✓*	✓*	✓

* These connections will be provided through adaptors or else for direct threads (without adaptor) minimum order quantity shall be 100 nos per range.

Applicable for Freon ranges.

Note : Connections like Metric/ PT/ PF/ Flaired/ UNF/ G/ R etc. can be provided on request through adaptors.

Range			
Refer Range Table			
Code	Options	Code	Options
IDSB	Integral dampening screw (brass)	ZC	Freon range (with temperature scale)
CD	Custom designed dial	TM	Dial tag marking*
OS	Oxygen service	HLT	Helium leak test
C5	Five point calibration certificate	ST	SS tag plate

(*For NS 100 mm & above)

Note : Minimum preferred quantity for non standard items shall be 300 nos.

For other optional items, please contact factory for delivery and minimum quantity of order.