



**Features**

- Polypropylene Case & Stainless Steel Measuring System
- Dry or Liquid Filled
- Standard followed in general EN 837-1

**Applications**

- Corrosive atmosphere
- Hazardous environment applications

**Specifications**

**Standard Version: 100mm & 150mm**

Accuracy	: ±1.0% of F. S.
Case	: POLYPROPYLENE (PP)
Bourdon	: AISI 316L SS
Socket	: AISI 316L SS
Movement	: AISI 304 SS
Joints	: Tig Argon Arc Welding
Ambient Temperature	: - 25°C to + 65°C
Process Temperature	: Max. 100°C
Operating pressure range	: 75% of Scale Value
Over pressure limit	: ≤ 100 bar : %125 of Max. Scale
	: > 100 to ≤ 600 bar : 115% of Max. Scale Value
	: > 600 to ≤ 1600 bar : 110% of Max. Scale Value
Protection	: IP 65
Dial	: Aluminium, black graduation on white background
Pointer	: Aluminium, black coloured, Micrometer Zero adjustable
Window	: Sheet Glass
Blow off Disc & Gasket	: Neoprene
Filling Plug	: Neoprene

**Glycerine Filled Version**

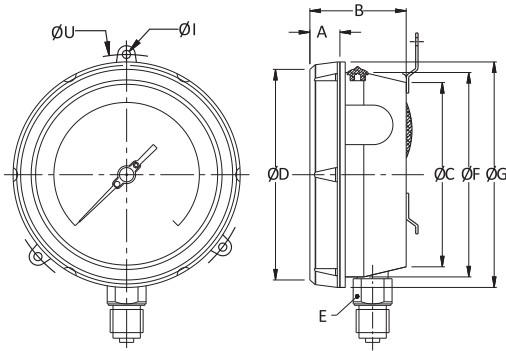
Accuracy	: ±1.0% of F. S.
Ambient Temperature	: Maximum 65°C
Process Temperature	: Maximum 65°C
Window	: Plexi Glass
Dampening Liquids	: Glycerine 99.7% (others available as an option)
Other Features	: Refer Specification of Standard Version

**Temperature Effect**

The variation of indication caused by effects of temperature is to be calculated by below formula; which is to be added in the specified accuracy while measurement :- Formula :  $\pm 0.04 \times (t_2 - t_1) \% \text{ of F. S.}$  where  $t_1$  = reference temperature (+20°C) and  $t_2$  = ambient temperature in °C.

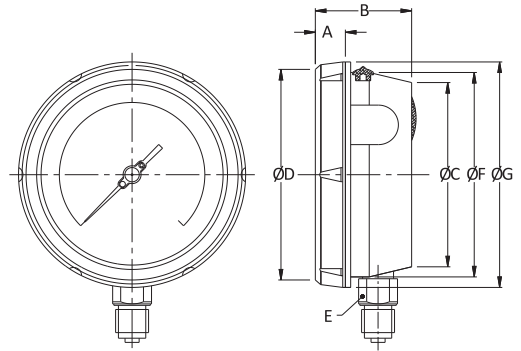
**Dimensions - Standard Version**

Diagram and Code indicates Type of Mounting



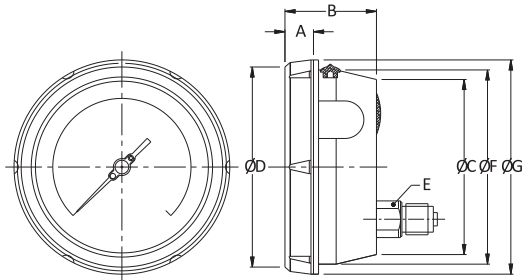
**CODE - BMW**

NS	A	B	ØC	ØD	E	S	ØF	ØG	ØU	ØI	Weight in gram (With Box)
100	16.5	55	106	119.5	22	116	134	129	118	6	630.0
150	16	54.5	156	169	22	167.5	150	179	168	6	1040.0



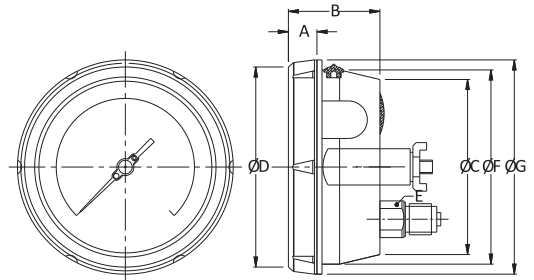
**CODE - BM**

NS	A	B	ØC	ØD	E	ØF	ØG	Weight in gram (With Box)
100	16.5	55	106	119.5	22	116	129	600.0
150	16	54.5	156	169	22	167.5	179	1040.0



**CODE - LBK**

NS	A	B	ØC	ØD	E	ØF	ØG	Weight in gram (With Box)
100	16.5	55	106	119.5	22	116	129	580.0
150	16	54.5	156	169	22	167.5	179	1060.0



**CODE - LBKBR**

NS	A	B	ØC	ØD	E	ØF	ØG	Weight in gram (With Box)
100	16.5	55	106	119.5	22	116	129	710.0
150	16	54.5	156	169	22	167.5	179	1100.0

Notes : • Drawings are not to scale. • All Dimensions are in mm. • NS = Nominal Size.

**Range Table**

Note: We offer National / International Scales like kPa, MPa, bar, psi, kg/cm<sup>2</sup> & Dual Scale like kPa with psi, kPa with bar, bar with psi or Equivalent scales as per the requirement can be provided on request. Following are the example tables for kg/cm<sup>2</sup> & psi scales

**Pressure Range**

**Single scale (kg/cm<sup>2</sup> or bar)**

0 to 0.6	0 to 4	0 to 25	0 to 160	0 to 1000
0 to 1	0 to 6	0 to 40	0 to 250	0 to 1600
0 to 1.6	0 to 10	0 to 60	0 to 400	
0 to 2.5	0 to 16	0 to 100	0 to 600	

**Dual scale ( psi with kg/cm<sup>2</sup> ) or (psi with bar)**

psi	kg/cm <sup>2</sup>	psi	kg/cm <sup>2</sup>	psi	kg/cm <sup>2</sup>
0 to 15	0 to 1	0 to 400	0 to 28	0 to 4000	0 to 280
0 to 30	0 to 2	0 to 500	0 to 35	0 to 5000	0 to 350
0 to 60	0 to 4	0 to 600	0 to 40	0 to 6000	0 to 400
0 to 100	0 to 7	0 to 1000	0 to 70	0 to 10000	0 to 700
0 to 150	0 to 10	0 to 1500	0 to 100	0 to 15000	0 to 1000
0 to 220	0 to 16	0 to 2200	0 to 160	0 to 22000	0 to 1600
0 to 300	0 to 20	0 to 3000	0 to 200		

Note: Design and Specifications subject to change without prior notice.

### Vaccum & Compound Range

Dual scale (inHg with psi & mmHg with kg/cm<sup>2</sup>)

inHg with psi	mmHg with kg/cm <sup>2</sup>	inHg with psi	mmHg with kg/cm <sup>2</sup>	inHg with psi	mmHg with kg/cm <sup>2</sup>
-30 to 0	-760 to 0	-30 to 60	-760 to 4	-30 to 200	-760 to 14
-30 to 15	-760 to 1	-30 to 100	-760 to 7	-30 to 300	-760 to 21
-30 to 30	-760 to 2	-30 to 150	-760 to 10	-30 to 350	-760 to 25

Single scale (kg/cm<sup>2</sup>)

-1 to 0	-1 to 1.5	-1 to 5	-1 to 15
-1 to 0.6	-1 to 3	-1 to 9	-1 to 24

### Accessories (Refer Datasheet For Complete Specifications)

Code	Accessories	Code	Accessories	Code	Accessories
CT	Cooling Tower	GS	Over Load Protector (Gauge Saver)**	PD	Snubber
GC	Gauge Cock	*	Needle Valve	SYP	Siphon

\* Refer catalogue for Valves & Manifolds

\*\* For Pressure Ranges.

### How To Order - Ordering Example: 2211PG: PPS. 100. BMW. 2NPM. 0 to 10bar/psi. DG

Basic Model	2211PG : PPS	
<b>Code</b>	<b>Nominal Size</b>	
100	100 mm	
150	150 mm	
<b>Code</b>	<b>Type Of Mounting</b>	<b>Code</b> <b>Type Of Mounting</b>
BMW	Wall, surface, projection mounting with bottom entry	LBKBR      Lower back entry with mounting bracket
BM	Direct bottom entry	
LBK	Direct lower back entry	
<b>Code</b>	<b>Gauge Connection</b>	
38BSM	3/8" BSP (M) (Standard)	
4NPM	1/4" NPT (M)	
2BSM	1/2" BSP (M) (Standard)	
2NPM	1/2" NPT (M) (Standard)	
2BSTM	1/2" BSPT (M)	
2M20	M20 x 1.5 (M)	

Note : Connections like Metric/ PT/ PF/ Flaired/ UNF/ G/ R etc can be provided on request.

Range
Refer Range Table

Code	Options	Code	Options
MV	Monel bourdon & socket (Monel version)**	CN	Conformity as per NACE Standard
C5	Five point calibration certificate	CD	Custom designed dial
CT	Calibration certificate traceable to national / International standards	DG	Dampening liquid glycerine filled
MTC	Material test certificates*	OS	Internal over pressure stop
PG	Plexi glass	VS	Internal vacuum stop
SG	Shatterproof glass	IDS	Integral dampening screw (AISI 316 SS)
TG	Toughened glass	IDM	Integral dampening screw (Monel)**
MJ	Movement with dampening jelly	TM	Dial tag marking
OS	Oxygen service (for dry version)	SM	AISI 316 SS movement ***
HLT	Helium leak test	ST	SS tag plate

\* Material test certificates will be provided for wetted parts only with chemical composition testing. For others, please consult factory

\*\*Integral dampening screw will be in monel if ordered. Refer option IDM. \*\*\* Minimum order quantity shall be 10 nos.

Note: Design and Specifications subject to change without prior notice.