



Features

- Low cost version
- Selectable ranges from -6000 to 0 & 0 to 6000 mmWC, -1 to 0 & 0 to 10 kg/cm
- Standard followed in general EN 837 - 3

Applications

- Suitable for clean air
- Corrosive environments & Gaseous or non crystallized liquid media that will not obstruct the pressure system.

Specifications

Standard Version: 100mm & 150mm

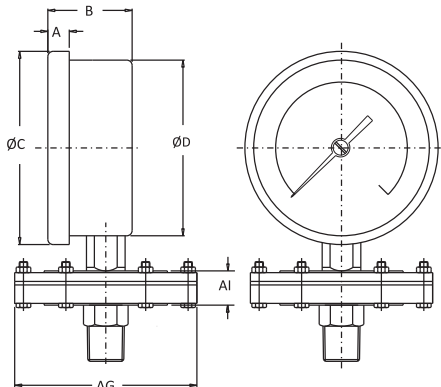
Diaphragm Type	: HP : -1 to 0 kg/cm ² & 0 to 10 kg/cm ² : LP : -6000 mmWC to 0 & 0 to 6000 mmWC
Accuracy	: ±2.5% of F. S.
Case & Bezel	: Steel (Painted, Push Fit type)
Top Chamber	: Steel (Painted)
Bottom Chamber	: AISI 316 SS
Gauge Connection	: ½" BSP(M)
Diaphragm	: Spring Steel with PTFE Protection for HP ranges & : AISI 316L SS for LP ranges
Movement	: AISI 304 SS
Ambient Temperature	: - 25°C to + 65°C
Process Temperature	: Max 100°C
Operating pressure range	: 75% of Scale Value
Over pressure limit	: 130% of Scale Value
Dial	: Aluminium, black graduation on white background
Pointer	: Aluminium, black coloured, slotted Zero adjustable
Window	: Sheet Glass

Temperature Effect

The variation of indication caused by effects of temperature is to be calculated by below formula; which is to be added in the specified accuracy while measurement :- Formula : ± 0.08 x (t₂ - t₁) % of F. S. where t₁ = reference temperature (+20°C) and t₂ = ambient temperature in °C.

Dimensions - Standard Version

Diagram and Code indicates Type of Mounting



CODE - BM

NS	A	B	ØC	ØD	AG	AI	Weight in gram (With Box)	Type
100	13	46.5	98.5	97	158	17.5	2520.0	LP
150	15	48	155.5	154	158	17.5	2960.0	LP
100	13	46.5	98.5	97	98	19	1350.0	HP
150	15	48	155.5	157	98	19	1850.0	HP

LP Type = -6000 mmWC to 0 & 0 to 6000 mmWC
HP Type = -1 kg/cm² to 0 & 0 to 25 kg/cm²

Note: Design and Specifications subject to change without prior notice.

Range Table

Note : We offer National / International Scales like mbar, mmWC, inHg with psi, mWC, inWC & Dual Scale or Equivalent scales as per the requirement can be provided on request. Following are the example tables for mmWC & kg/cm² scale.

Pressure, Vacuum & Compound ranges (HP)

Pressure range

Single scale - kg/cm ²				Dual scale - kg/cm ² with psi							
				kg/cm ²		psi		kg/cm ²		psi	
0 to 0.6	0 to 1.6	0 to 4	0 to 10	0 to 1	0 to 15	0 to 4	0 to 60	0 to 10	0 to 150		
0 to 1	0 to 2.5	0 to 6		0 to 2	0 to 30	0 to 7	0 to 100				

Vacuum & Compound Range

Single scale - kg/cm ²			Dual scale - kg/cm ² with psi							
			inHg with psi		mmHg with kg/cm ²		inHg with psi		mmHg with kg/cm ²	
-1 to 0.6	-1 to 3	-1 to 9	-30 to 0	-760 to 0	-30 to 60	-760 to 4				
-1 to 1.5	-1 to 5		-30 to 15	-760 to 1	-30 to 100	-760 to 7				
			-30 to 30	-760 to 2	-30 to 150	-760 to 10				

Pressure, Vacuum & Compound ranges (LP)

Pressure range			Vacuum & Compound range					
Single scale - mmWC (LP)			Single scale - mmWC (Vacuum)			Single scale - mmWC (Compound)		
0 to 250	0 to 1000	0 to 2500	-250 to 0	-1000 to 0	-2500 to 0	-100 to 150	-400 to 600	-1000 to 1500
0 to 400	0 to 1600	0 to 4000	-400 to 0	-1600 to 0	-4000 to 0	-150 to 250	-600 to 1000	-1500 to 2500
0 to 600	0 to 2000	0 to 6000	-600 to 0	-2000 to 0	-6000 to 0	-200 to 400	-800 to 1200	-2000 to 4000

How To Order - Ordering Example: 2211PG: SCDT.100.BM.STP.STPP.2BSM.0 to 250mmWC.C5

Basic Model	2211PG : SCDT						
Code	Nominal Size						
100	100 mm						
150	150 mm						
Code	Type Of Mounting						
BM	Direct bottom entry						
Code	Top chamber						
STP	Steel Painted (Standard)						
Code	Diaphragm			Code	Diaphragm		
STPP	Spring steel with PTFE protection (Standard) - for HP ranges.			SSL	AISI 316L SS (Standard) - for LP ranges		
Code	Bottom chamber						
SS	AISI 316 SS (Standard)						
Code	Gauge Connection			Code	Gauge Connection		
2BSM	½" BSP (M) (Standard)			2NPM	½" NPT (M)		
Range	Refer Range Table						
Code	Options			Code	Options		
C5	Five point calibration certificate			CD	Custom designed dial		
TM	Dial tag marking			MTC	Material test certificates#		
ST	SS tag plate						

Material test certificates will be provided for wetted parts only with chemical composition testing. For others, please consult factory. For other optional items, please contact factory for delivery and minimum quantity of order.

Note: Design and Specifications subject to change without prior notice.