

Series 2211PG : SFSS ALL SS PRESSURE GAUGE SOLID FRONT



Features

- External zero adjustment (optional)
- Solid Front design features baffle wall interposed between the sensing system & the window, and a Pressure relieving back for increased safety.
- Dry or fillable version
- Accuracy $\pm 0.5\%$ F. S. (optional)
- Stainless steel blow off back
- Standard followed EN 837-1

Applications

- Suitable for high pressure gas
- Corrosive / hazardous environment that will not obstruct the pressure system.

Specifications

Standard Version: 100mm & 150mm

Accuracy	: $\pm 1.0\%$ Of F. S.
Case & Bezel	: AISI 304 SS (Bayonet Type)
Bourdon	: AISI 316L SS
Socket	: AISI 316L SS (Directly welded to case)
Movement	: AISI 304 SS
Joints	: Tig Argon Arc Welding
Ambient Temperature	: -20°C to $+65^{\circ}\text{C}$
Process Temperature	: Max. 300°C
Operating pressure range	: 75% of Scale Value
Over pressure limit	: ≤ 100 bar : $\%125$ of Max. Scale Value : > 100 to ≤ 600 bar : 115% of Max. Scale Value : > 600 to ≤ 1600 bar : 110% of Max. Scale Value
Protection	: IP 65
Dial	: Aluminium, black graduation on white background
Pointer	: Aluminium, black coloured, Micrometer Zero adjustable
Window	: Shatterproof / Safety Glass
Blow off Disc	: AISI 304 SS
Gasket & Filling Plug	: Neoprene

Glycerine Filled Version

Accuracy	: $\pm 1.0\%$ of F. S.
Ambient Temperature	: Maximum 65°C
Window	: Shatterproof / Safety Glass
Dampening Liquids	: Glycerine 99.7% (others available as an option)
Other Features	: Refer Specification of Standard Version

Fillable Version

Fillable Dampening Liquid	: Glycerine 99.7%
Ambient Temperature	: Maximum 65°C
Process Temperature	: Maximum 65°C
Window	: Shatterproof / Safety Glass
Other Features	: Refer Specification of Standard Version

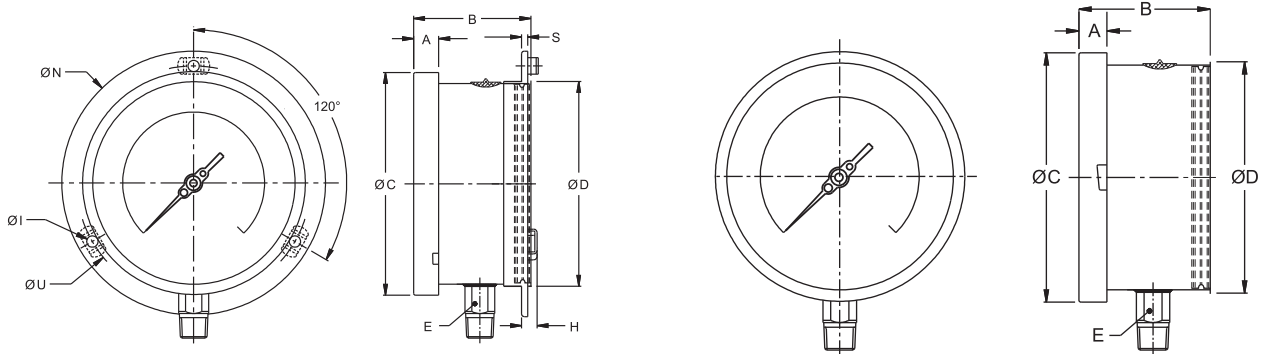
Temperature Effect

The variation of indication caused by effects of temperature is to be calculated by below formula; which is to be added in the specified accuracy while measurement :- Formula : $\pm 0.04 \times (t_2 - t_1) \%$ of F. S. where t_1 = reference temperature ($+20^{\circ}\text{C}$) and t_2 = ambient temperature in $^{\circ}\text{C}$.

Note: Design and Specifications subject to change without prior notice.

Dimensions - Standard Version

Diagram and Code indicates Type of Mounting



CODE - BMW

NS	A	B	ØC	ØD	E	ØN	ØU	H	ØI	S	Weight in gram (With Box)	Weight in gram (With Glycerin & Box)
100	12.5	70	111	100	22	134	76	15	6	1	860.0	1170.0
150	15	70	161	149	22	186	118	15	6	1	1440.0	2230.0

CODE - BM

NS	A	B	ØC	ØD	E	Weight in gram (With Box)	Weight in gram (With Glycerin & Box)
100	12.5	70	111	100	22	760.0	1070.0
150	15	70	161	149	22	1300.0	2090.0

- Notes :
- Drawings are not to scale.
 - All Dimensions are in mm
 - NS = Nominal Size
 - Weights mentioned are approximate and for standard product.
 - Weight can be different after selection of options.

Range Table

Note: We offer National / International Scales like kPa, MPa, bar, psi, kg/cm² & Dual Scale like kPa with psi, kPa with bar, bar with psi or scales as per the requirement can be provided on request. Following are the example tables for kg/cm² & psi scales

Range with Nominal Sizes

Single scale (kg/cm² or bar)

0 to 0.6	0 to 4	0 to 25	0 to 160	0 to 1000
0 to 1	0 to 6	0 to 40	0 to 250	0 to 1600
0 to 1.6	0 to 10	0 to 60	0 to 400	
0 to 2.5	0 to 16	0 to 100	0 to 600	

Dual scale (psi with kg/cm²)

psi	kg/cm ²	psi	kg/cm ²	psi	kg/cm ²
0 to 15	0 to 1	0 to 400	0 to 28	0 to 4000	0 to 280
0 to 30	0 to 2	0 to 500	0 to 35	0 to 5000	0 to 350
0 to 60	0 to 4	0 to 600	0 to 40	0 to 6000	0 to 400
0 to 100	0 to 7	0 to 1000	0 to 70	0 to 10000	0 to 700
0 to 150	0 to 10	0 to 1500	0 to 100	0 to 15000	0 to 1000
0 to 220	0 to 16	0 to 2200	0 to 160	0 to 22000	0 to 1600
0 to 300	0 to 20	0 to 3000	0 to 200		

Vacuum & Compound Range

Dual scale

inHg with psi	mmHg with kg/cm ²	inHg with psi	mmHg with kg/cm ²	inHg with psi	mmHg with kg/cm ²
-30 to 0	-760 to 0	-30 to 60	-760 to 4	-30 to 200	-760 to 14
-30 to 15	-760 to 1	-30 to 100	-760 to 7	-30 to 300	-760 to 21
-30 to 30	-760 to 2	-30 to 150	-760 to 10		

Single scale (kg/cm²)

-1 to 0	-1 to 1.5	-1 to 5	-1 to 15
-1 to 0.6	-1 to 3	-1 to 9	-1 to 24

Note: Design and Specifications subject to change without prior notice.

Accessories (Refer Datasheet For Complete Specifications)

Code	Accessories	Code	Accessories	Code	Accessories
CT	Cooling Tower	GS	Over Load Protector (Gauge Saver)**	PD	Snubber
GC	Gauge Cock	*	Needle Valve	SYP	Siphon

* Refer catalogue for Valves & Manifolds

** For Pressure Ranges.

How To Order - Ordering Example: 2211PG: SFSS. 100. BMW. 2NPM. 0 to 10bar/psi. DG

Basic Model	2211PG : SFSS
Code	Nominal Size
100	100mm
150	150mm
Code	Type Of Mounting
BMW	Wall, surface, projection mounting with bottom entry
BM	Direct bottom entry
BMPY	2" pipe / yoke mounting with bottom entry*

* MOC of bracket and 'U' clamp will be steel (painted). Ask factory for drawings, if required.

Code	Gauge Connection
38BSM	3/8" BSP (M)
2BSM	1/2" BSP (M) (Standard)
2NPM	1/2" NPT (M) (Standard)
2M20	M20 x 1.5 (M)

Note : Connections like Metric/ PT/ PF/ Flaired/ UNF/ G/ R etc can be provided on request.

Range
Refer Range Table

Code	Options	Code	Options
5A	Accuracy $\pm 0.5\%$ of F. S. (dry version & except maximum reading pointer)	MTC	Material test certificates
MV	Monel bourdon & socket (Monel version)**#	ST	SS tag plate
IDM	Integral dampening screw (Monel)#	TM	Dial tag marking
FS	Fillable liquid silicon oil*	HLT	Helium leak test
FG	Fillable liquid glycerine	CN	Conformity as per NACE Standard
DG	Dampening liquid glycerine filled	C5	Five point factory calibration certificate
DS	Dampening liquid silicon oil filled*	OS	Oxygen service (for dry version)
PG	Plexi glass	CD	Custom designed dial
MJ	Movement with dampening jelly	IDS	Integral dampening screw (AISI 316 SS)
EP66	Enclosure protection IP 66	OS	Internal over pressure stop
EP67	Enclosure protection IP 67	VS	Internal vacuum stop
CT	Calibration certificate traceable to National/International standards	SS	AISI 316 SS case & bezel
SM	AISI 316 SS movement	OP	Over range protection $\%150$ of F. S.
VP	On - off type vent plug	EZ	External zero adjustment

* Gasket & Filling plug of Viton. *** Material certificates test will be provided for wetted parts only with chemical composition testing. For others, please consult factory. # Integral dampening screw will be in monel if ordered. Refer option IDM.

Note: Design and Specifications subject to change without prior notice.