

Series 2211PG : SSL ALL SS PRESSURE GAUGE BOURDON TYPE

SSL



Special Features

- External zero adjustment (optional)
- Stainless steel case & measuring system
- Socket directly welded to case
- Dry and liquid filled version
- Standard followed EN 837-1 (for NS 100, 150 & 250 mm)

Application

- Food & beverage
- Pharmaceutical
- Cryogenics
- Pumps
- Diesel engines & Refrigerating plants
- Chemical & Petrochemical industries
- Conventional & nuclear power plants
- Environments & gaseous or liquid media that will not obstruct the pressure system.
- Hydro-cleaning machines
- Presses
- Engine compressors
- Turbines
- Suitable for corrosive environment

Specifications

Standard Version : 100 mm, 125 mm, 150 mm, 200 mm & 250 mm

Accuracy	: ±1.0% of F.S.
Case & Bezel	: AISI 304 SS (Bayonet Type)
Bourdon	: ASTM A479 Gr. 316L
Socket	: ASTM A479 Gr. 316L (Directly Welded to Case)
Movement	: AISI 304 SS
Joints	: Tig Argon Arc Welding
Ambient Temperature	: - 25°C to + 65°C
Process Temperature	: Max. 300°C
Operating pressure range	: 75% of Scale Value
Over pressure limit	: ≤ 100 bar : 125% of Max. Scale Value : > 100 to ≤ 600 bar : 115% of Max. Scale Value : > 600 to ≤ 1600 bar : 110% of Max. Scale Value
Protection	: IP 65
Dial	: Aluminum , black graduation on white background
Pointer	: Aluminum, black coloured Micrometer zero adjustable
Window	: Plexi Glass
Blow off Disc	: Neoprene
Gasket & Filling Plug	: Neoprene

Fillable Version

Fillable Dampening Liquid	: Glycerine 99.7%
Ambient Temperature	: Maximum 65°C
Process Temperature	: Maximum 65°C
Window	: Plexi Glass
Other Features	: Refer Specification of Standard Version

Glycerine Filled Version

Accuracy	: ±1.0% of F.S.
Ambient Temperature	: Maximum 65°C
Process Temperature	: Maximum 65°C
Window	: Plexi Glass
Dampening Liquids	: Glycerine 99.7% (others available as option)
Other Features	: Refer Specification of Standard Version

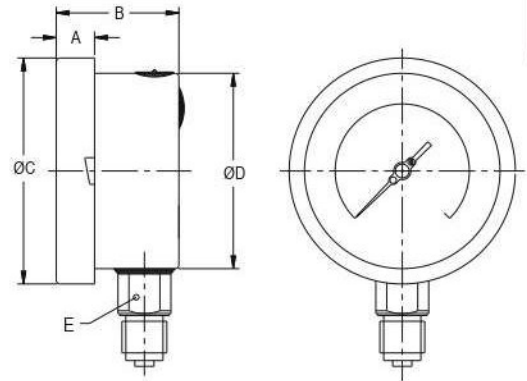
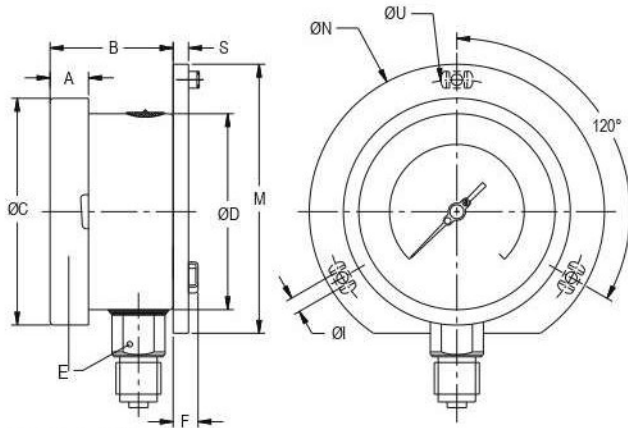
Temperature Effect

The variation of indication caused by effects of temperature is to be calculated by below formula; which is to be added in the specified accuracy while measurement :- Formula : $\pm 0.04 \times (t_2 - t_1) \%$ of F. S. where t_1 = reference temperature (+20°C) and t_2 = ambient temperature in °C.

Note: Design and Specifications subject to change without prior notice.

Dimensions - Standard Version

Diagram and Code indicates Type of Mounting

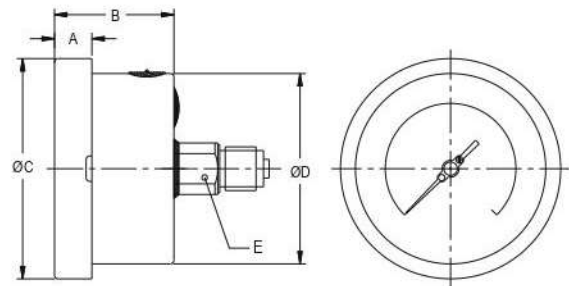
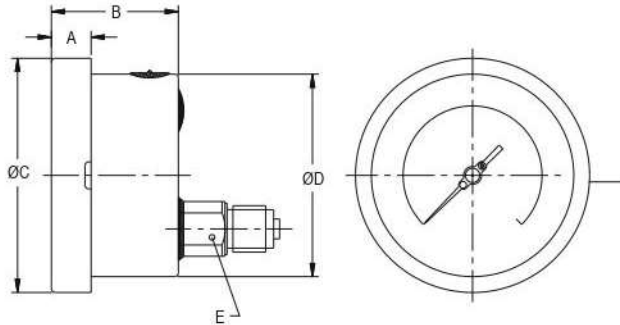


CODE - BMW

NS	A	B	ØC	ØD	E	M	S	F	ØI	ØN	ØU	Weight in gram (With Box)	Weight in gram (With Glycerin & Box)
100	12.5	45	111	100	22	128	6	14.5	6	134	118	720.0	1025.0
125	15	46	129	119	22	143	4	14.5	6	150	137	845.0	1165.0
150	15	46.5	161	149	22	174.5	6	14.5	6	186	168	1160.0	1895.0
200	18	49	216.5	201.5	22	229	1.5	14.5	7	245	230	2020.0	2780.0
250	18	52	263	250	22	286.5	1.5	14.5	7	290	276	2400.0	3220.0

CODE - BM

NS	A	B	ØC	ØD	E	Weight in gram (With Box)	Weight in gram (With Glycerin & Box)
100	12.5	47	111	100	22	640.0	935.0
125	15	48	129	119	22	750.0	1070.0
150	15	49	161	149	22	1020.0	1755.0
200	18	49	210.5	201.5	22	1720.0	2480.0
250	18	52	263	250	22	2000.0	2820.0



CODE - LBK

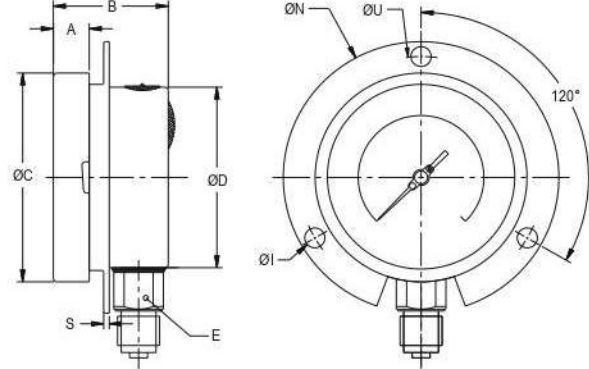
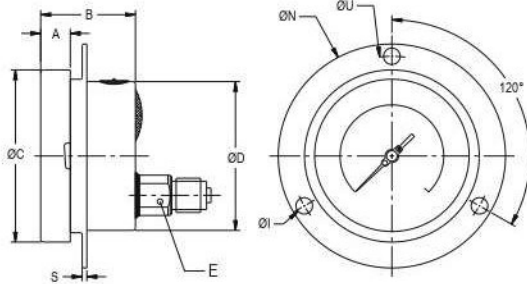
NS	A	B	ØC	ØD	E	Weight in gram (With Box)	Weight in gram (With Glycerin & Box)
100	12.5	47	111	100	22	640.0	935.0
125	15	48	129	119	22	750.0	1070.0
150	15	49	161	149	22	1000.0	1735.0
200	18	49	216.5	201.5	22	1500.0	2260.0
250	18	52	263	250	22	1800.0	2620.0

CODE - CBK

NS	A	B	ØC	ØD	E	Weight in gram (With Box)	Weight in gram (With Glycerin & Box)
100	12.5	47	111	100	22	640.0	935.0

Dimensions - Standard Version

Diagram and Code indicates Type of Mounting

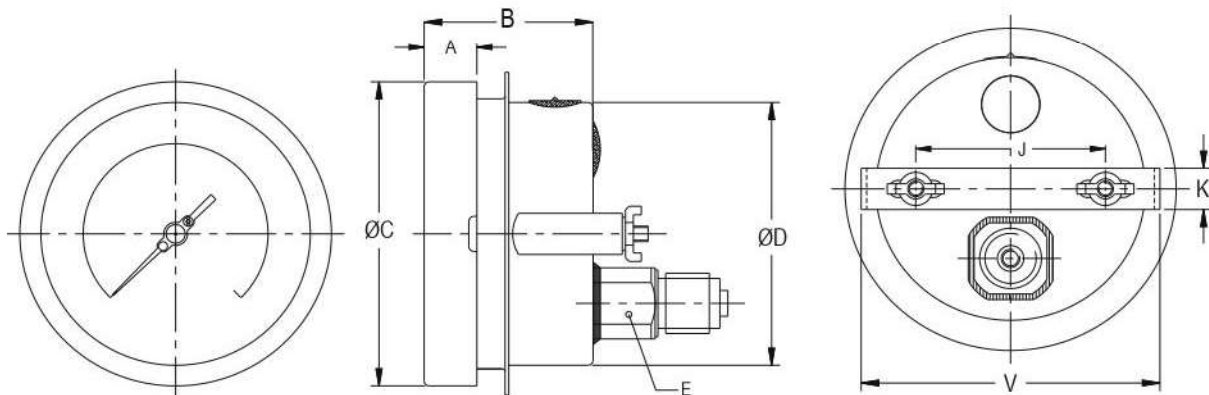


CODE - LBKFF

NS	A	B	ØC	ØD	E	S	ØI	ØN	ØU	Weight in gram (With Box)	Weight in gram (With Glycerin & Box)
100	12.5	45	111	100	22	1	6	134	118	695.0	990.0
125	15	46	129	119	22	1	6	150	137	850.0	1170.0
150	15	46.5	161	149	22	1	6	186	168	1100.0	1835.0
200	18	49	216.5	201.5	22	1.5	7	245	230	2000.0	2760.0
250	18	52	263	250	22	1.5	7	290	276	2250.0	3070.0

CODE - BMFF

NS	A	B	ØC	ØD	E	S	ØI	ØN	ØU	Weight in gram (With Box)	Weight in gram (With Glycerin & Box)
100	12.5	47	111	100	22	1	6	134	118	730.0	1025.0
125	15	48	129	119	22	4	6	150	137	815.0	1135.0
150	15	49	161	149	22	5	6	186	168	1100.0	1835.0



CODE - LBKBR

NS	A	B	ØC	ØD	E	J	K	V	Weight in gram (With Box)	Weight in gram (With Glycerin & Box)
100	12.5	47	111	100	22	72	16	108	740.0	1035.0
125	15	48	129	119	22	75	16	125	890.0	1210.0
150	15	49	161	149	22	106.5	16	166	1100.0	1835.0
200	18	49	210.5	201.5	22	165	16	208	1920.0	2680.0
250	18	52	263	250	22	180	30	270	2300.0	3120.0

Notes : • Drawings are not to scale. • All Dimensions are in mm . • NS = Nominal size
• Weights mentioned are approximate and for standard product. Weight can be different after selection of options.

Range Table

Note : We offer National / International Scales like kPa, MPa, bar, psi, kg/cm² & Dual Scale like kPa with psi, kPa with bar, bar with psi or Equivalent scales as per the requirement can be provided on request. Following are the example tables for kg/cm² & psi scales.

Note: Design and Specifications subject to change without prior notice.

Pressure Range

Single Scale (kg/cm² or bar)

0 to 0.6	0 to 4	0 to 25	0 to 160	0 to 1000
0 to 1	0 to 6	0 to 40	0 to 250	0 to 1600
0 to 1.6	0 to 10	0 to 60	0 to 400	
0 to 2.5	0 to 16	0 to 100	0 to 600	

Dual Scale (psi with kg/cm²)

psi	kg/cm ²	psi	kg/cm ²	psi	kg/cm ²
0 to 15	0 to 1	0 to 400	0 to 28	0 to 4000	0 to 280
0 to 30	0 to 2	0 to 500	0 to 35	0 to 5000	0 to 350
0 to 60	0 to 4	0 to 600	0 to 40	0 to 6000	0 to 420
0 to 100	0 to 7	0 to 1000	0 to 70	0 to 10000	0 to 700
0 to 150	0 to 10	0 to 1500	0 to 100	0 to 15000	0 to 1000
0 to 220	0 to 16	0 to 2200	0 to 160	0 to 22000	0 to 1600
0 to 300	0 to 20	0 to 3000	0 to 200		

Vacuum & Compound

Dual Scale (inHg with psi & mmHg with kg/cm²)

inHg with psi	mmHg with kg/cm ²	inHg with psi	mmHg with kg/cm ²	inHg with psi	mmHg with kg/cm ²
-30 to 0	-760 to 0	-30 to 60	-760 to 4	-30 to 200	-760 to 14
-30 to 15	-760 to 1	-30 to 100	-760 to 7	-30 to 300	-760 to 21
-30 to 30	-760 to 2	-30 to 150	-760 to 10	-30 to 350	-760 to 25

Single Scale (kg/cm²)

-1 to 0	-1 to 1.5	-1 to 5	-1 to 15
-1 to 0.6	-1 to 3	-1 to 9	-1 to 24

Receiver

Linear scale	Square root scale
(0 - 100% Internal Scale)	(0 - 10 Sq - Root Internal Scale)
External Scale	External Scale
0.2 - 1 kg/cm ² or 3 - 15 psi (0-100% linear scale)	0.2 - 1 kg/cm ² or 3 - 15 psi (0.2 - 1 kg/cm ²)
Freon (with temperature scale)	Ammonia (with temperature scale)

Note : For temperature scales, please provide refrigerant name.

Range (psi)	(kg/cm ²)	(psi)
-30 inHg - 150	0 - 300	-30 inHg - 150
-30 inHg - 300	0 - 500	-30 inHg - 300
	-1 to 25	0 - 300

Accessories (Refer Datasheet For Complete Specifications)

Code	Accessories	Code	Accessories	Code	Accessories
CT	Cooling Tower	GS	Over Load Protector (Gauge Saver)**	PD	Snubber
GC	Gauge Cock	*	Needle Valve	SYP	Siphon

* Refer catalogue for Valves & Manifolds

** For Pressure Ranges.

How To Order - 2211PG : SSL.100.BM.4NPM.0 to 5 bar/psi.SG.C5

Basic Model		2211PG : SSL							
Code	Nominal Size	Code	Nominal Size	Code	Nominal Size	Code	Nominal Size	Code	Nominal Size
100	100mm	125	125mm	150	150mm	200	200mm	250	250mm

Note: Design and Specifications subject to change without prior notice.

Code	Type of Mounting
BMW	Wall, surface, projection mounting with bottom entry
BM	Direct bottom entry
LBK	Direct lower back entry
CBK	Direct center back entry
LBKFF	Lower back entry with front flange
BMPY	2" pipe / yoke mounting with bottom entry*
LBKBR	Lower back entry with mounting bracket
BMFF	Bottom entry with front flange (for NS 100 mm, 125 mm & 150 mm)

* MOC of bracket and 'U' clamp will be steel (painted). Ask factory for drawings, if required.

Code	Gauge Connection	100	125	150	200	250
4BSM	1/4" BSP(M)	✓	✓	✓	×	×
4NPM	1/4" NPT(M)	✓	✓	✓	×	×
4BSTM	1/4" BSPT(M)	✓	✓	✓	×	×
38BSM	3/8" BSP(M)	✓*	✓	✓	✓	✓
38BSTM	3/8" BSPT(M)	✓	✓	✓	✓	✓
2BSM	1/2" BSP(M) Standard	✓	✓	✓	✓	✓
2NPM	1/2" NPT(M) Standard	✓	✓	✓	✓	✓
2BSTM	1/2" BSPT(M)	✓	✓	✓	✓	✓
2M20	M 20x 1.5(M)	✓	✓	✓	✓	✓

* Standard for NS 100 mm.

Note : Connections like Metric/ PT/ PF/ Flaired/ UNF/ G/ R etc. can be provided on request.

Range			
Refer Range Table			
Code	Options	Code	Options
5A	Accuracy \pm 0.5% of F. S. (for dry version)	ST	SS tag plate
MV	Monel bourdon & socket (Monel version)**	OS	Oxygen service (for dry version)
IDM	Integral dampening screw (Monel)	TM	Dial tag marking
FS	Fillable liquid silicon oil*	HLT	Helium leak test
FG	Fillable liquid glycerine	CN	Conformity as per NACE Standard
DG	Dampening liquid glycerine filled	C5	Five point calibration certificate
DS	Dampening liquid silicon oil filled*	CT	Caibration certificate traceable to National / International standards
EP66	Enclosure protection IP 66	CD	Custom designed dial
EP67	Enclosure protection IP 67	VS	Internal vacuum stop
PG	Plexi glass	RR	Receiver range
SG	Shatterproof/safety glass	ZC	Freon range (with temperature scale)
TG	Toughened glass	ZD	Ammonia range (with temperature scale)
MJ	Movement with dampening jelly	SS	AISI 316 SS case & bezel
EG	Knife edge pointer	SM	AISI 316 SS movement
PP	Maximum reading pointer with plexi glass (except option 5A & only for dry version) ◆	EP	Epoxy painted case & bezel
CE	CE marking (as per PED 97/23/EC) ◆	ELP	Electro polished case & bezel
MTC	Material test certificates***	SQ	Case with rolling type bezel (for NS 100 mm)
VP	ON - OFF type vent plug	OP	Over range protection 150% of F.S
IBR	IBR approval #	JU	2" pipe/yoke mounting bracket & 'U' clamp (AISI 304 SS)
PD	Anti parallax mirror band dial ##	FN	2" pipe/yoke mounting bracket & 'U' clamp (AISI 304 SS)
EZ	External zero adjustment	GO	Short over pressure
		BW	Solid front version with Baffle Wall/ Plate ◆

* Gasket & Filling plug of for Viton. **Integral dampening screw will be in monel if ordered. Refer option IDM.

***Material test certificates will be provided for wetted parts only with chemical composition testing. For others, please consult factory

For NS 150 mm & above. Scale shall be marked in kg/cm² only Consult factory for more details.

For NS 150 mm & Above. ◆ For NS 100 mm to 150 mm.

For other optional items, please contact factory for delivery and minimum quantity of order.

Note: Design and Specifications subject to change without prior notice.