



Features

- Mineral insulated cable.
- Spring loaded design for positive contact with thermowell
- Available in various connections & sheath diameters
- Enclosures (Head)
Weatherproof IP - 67
Flameproof Gr. IIA, IIB
Explosion proof IIA, IIB, IIC
- Transmitter output 4 - 20 mA (Optional)
- Reference Standard : IEC - 751 / DIN 43760

Applications

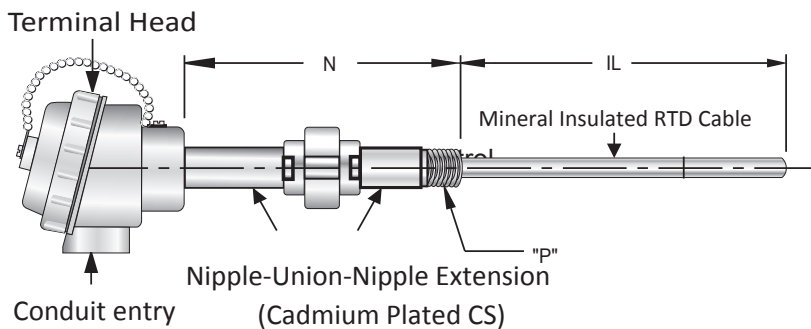
- Such design is generally used in all industries, machinery manufactures, bearing temp. measurement etc. where space is limited.

Specifications

Standard Version

| | |
|-------------------------|--|
| No of element | : Simplex |
| Element type | : Pt - 100 |
| Range | : -70°C till 500°C |
| Accuracy | : Class 'A' |
| Wire configuration | : 3 Wire system |
| Sheath diameter | : 6.0 mm |
| Sheath material | : SS 316 |
| Terminal head type | : Screwed type, weatherproof, IP-65 in Die Cast Aluminum |
| No. of conduit entry | : One |
| Cable gland | : 3/4" ET, Nickel plated brass, single compression |
| Head extension type | : Head with nipple union nipple extension |
| Immersion length "IL"mm | : 150 mm. |
| Process conn. "P" | : 1/2" BSP (M), SS 316 |
| Tag plate | : SS tag plate |

Dimensional Details



Nipple - Union - Nipple Connection

- Notes :
- Drawings are not to scale.
 - All Dimensions are in mm.

How To Order - Ordering Example : 2511RTD: NUN.1.P100.C.A.3.06.SS.SWP.1.34ET.NUN.150mm.2NPM.HN56.C5

| Basic Model | | 2511RTD: NUN | | |
|-------------|--|--------------|--------------------------|--|
| Code | No of Element | | | |
| 1 | Simplex (Standard) | | | |
| 2 | Duplex | | | |
| Code | Elements Type | | | |
| P100 | Pt- 100 (Standard) | | | |
| P500 | Pt- 500 | | | |
| P1000 | Pt - 1000 | | | |
| Code | Range | | | |
| C | -70°C till 500°C | | | |
| Code | Accuracy | | | |
| A | Class 'A' (Standard) (-70°C till 300°C) | | | |
| B | Class 'B' | | | |
| Code | Wire Configuration | Code | Wire Configuration | |
| 02 | 2 Wire system | 03 | 3 Wire system (Standard) | |
| 04 | 4 Wire system | | | |
| Code | Sheath Diameter | Code | Sheath Diameter | *For 3mm Sheath Dia Duplex cannot be offered |
| 03 | 3.0 mm* | 06 | 6.0 mm (Standard) | |
| 05 | 4.5 mm | 08 | 8.0 mm | |
| Code | Sheath Material | | | |
| SS | SS 316 (Standard) | | | |
| SSL | SS 316L | | | |
| Code | Terminal Head Type | | | |
| SFP | Screwed type, Flameproof, IP-67, Gr. IIA IIB in Die Cast Aluminum | | | |
| SEP | Screwed type, Explosion proof, IP-67, Gr. IIC in Die Cast Aluminum | | | |
| HWP | Hinged type, Weatherproof, IP-67 in Die Cast Aluminum | | | |
| 2SWP | Weatherproof Head, IP-67 in Die Cast Aluminum with cover fitted with two screws. | | | |
| SWP | Screwed type, weatherproof, IP-65 in Die Cast Aluminum (Standard) | | | |
| 3WP | Terminal head in SS 304 - WP, IP-67 | | | |
| 6WP | Terminal head in SS 316 - WP, IP-67 | | | |
| Code | No of Conduit Entry / Entries | | | |
| 1 | One entry (Standard) | | | |
| 2 | Double entry | | | |
| Code | Cable Gland | Code | Cable Gland | |
| 34ET | 3/4" ET (Standard) | 2NPF | 1/2" NPT(F) | |
| 34NPF | 3/4" NPT(F) | | | |
| Code | Head Extension Type | | | |
| N | Head with nipple extension | | | |
| NU | Head with nipple union extension | | | |
| NUN | Head with nipple union nipple extension | | | |

| Code | Immersion Length / Element Length |
|------|-----------------------------------|
| XX | Specify in mm. |

| Code | Process Connection | Code | Process Connection |
|------|-------------------------|-------|--------------------|
| 2NPM | 1/2" NPT (M) | 34NPM | 3/4" NPT (M) |
| 2NPF | 1/2" NPT (F) | 34NPF | 3/4" NPT (F) |
| 2BSM | 1/2" BSP (M) (Standard) | 34BSM | 3/4" BSP (M) |
| 2BSF | 1/2" BSP (F) | 34BSF | 3/4" BSP (F) |

| Code | Options |
|------|---|
| HMTx | Head mounted transmitter (4-20 mA) |
| BP | SS base plate suitable for temperature transmitter mounting |
| PCS | Plug for conduit entry in carbon steel |
| PSS3 | Plug for conduit entry in SS 304 |
| PSS | Plug for conduit entry in SS 316 |
| SCBW | S. C. cable gland in nickel plated brass - WP |
| DCBW | D. C. cable gland in nickel plated brass - WP |
| SC3W | S. C. cable gland in SS 304 - WP |
| DC3W | D. C. cable gland in SS 304 - WP |
| SC6W | S. C. cable gland in SS 316 - WP |
| DC6W | D. C. cable gland in SS 316 - WP |
| SCBF | S. C. cable gland in nickel plated brass - FLP |
| DCBF | D. C. cable gland in nickel plated brass - FLP |
| SC3F | S. C. cable gland in SS 304 - FLP |
| DC3F | D. C. cable gland in SS 304 - FLP |
| SC6F | S. C. cable gland in SS 316 - FLP |
| DC6F | D. C. cable gland in SS 316 - FLP |
| HN5C | Head with nipple extension 50 mm in CS |
| HN53 | Head with nipple extension 50 mm in SS 304 |
| HN56 | Head with nipple extension 50 mm in SS 316 |
| HN1C | Head with nipple union extension 100 mm in CS |
| HN13 | Head with nipple union extension 100 mm in SS 304 |
| HN16 | Head with nipple union extension 100 mm in SS 316 |
| HN5C | Head with nipple union nipple extension 150 mm in CS |
| HN53 | Head with nipple union nipple extension 150 mm in SS 304 |
| HN56 | Head with nipple union nipple extension 150 mm in SS 316 |
| AC | Adjustable threaded connection |
| C5 | Calibration certificate |
| ST | SS tag plate |

Note :

1. When selecting option "C5", please also specify temp. points at which calibration is to be carried out .
2. Explanations of Abbreviations used:

SC = Single Compression

SS = Stainless Steel

DC = Double Compression

FLP = Flameproof

WP = Weatherproof