



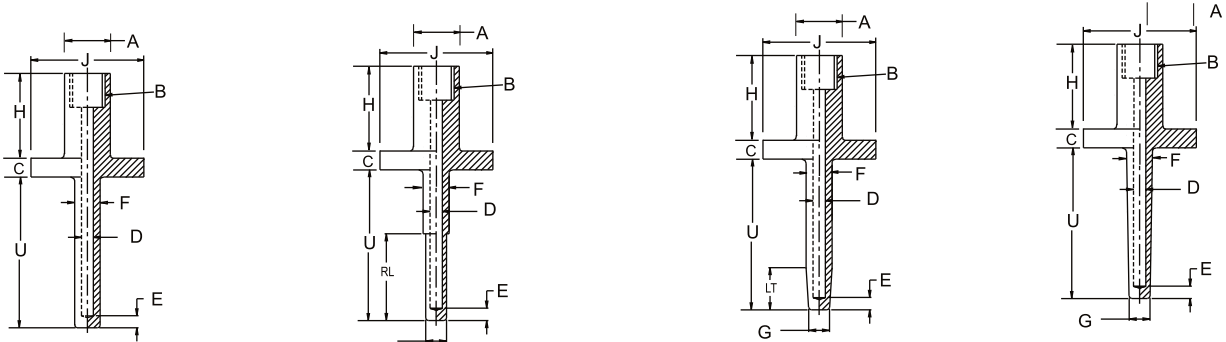
### Features

- Design as per PTC 19.3
- These Thermowells are machined from solid bar stock and mounted between main flanges for process insertion
- This design is suitable for all type of RTD's, Thermocouples, mechanical as well as Digital Thermometers

### Applications

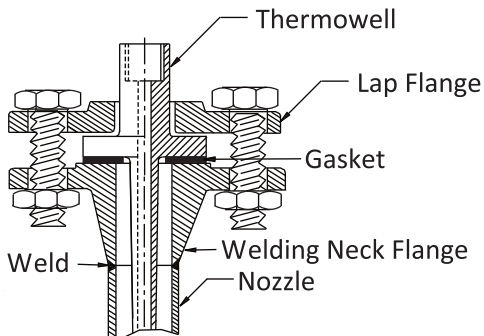
- Chemical plants
- Petrochemical plants
- Engineering plants
- On shore
- Off shore & other similar process industries

## Thermowell Drawings



S - Straight	SR - Straight Reduced Tip	PT - Parial Taper	FT - Full Taper
A - Finished Head Size	E - Tip Thickness	U - Inserion Length	
B - Instrument Connecion	F - Major Diameter	RL - Reduced Tip Length	
C - Collar	G - Minor Diameter	LT - Taper Length	
D - Bore Diameter	H - Extension Length	J - Collar Diameter	

## Thermowell Installaion



Note: Design and Specifications subject to change without prior notice.

**How To Order** - Ordering Example : 2511TW: VAN.S.SS.2NPF.A.1.FF.H50.A28.HH.C.E5.U150.EM

**Basic Model 2511TW : VAN**

Code	Type	Code	Type	Code	Type	Code	Type
S	Straight	SR	Straight Reduced Tip	PT	Parial Taper	FT	Full Taper

Code	Material	Code	Material	Code	Material	Code	Material
SS	AISI 316 SS	SS410	AISI 410 SS	MON	Monel	TTM	Titanium
SSL	AISI 316L SS	SS347	AISI 347 SS	IL6	Inconel 600	NIK	Nickel
SS3	AISI 304 SS	SST	AISI 316Ti SS	IL65	Inconel 625	HRS	HRS 446
SS3L	AISI 304L SS	SS310	AISI 310 SS	IY8	Incolloy 800	AL2	Alloy 20
SS321	AISI 321 SS	CS	Carbon Steel	IY85	Incolloy 825	HTLC	Hastelloy C

Note : Other Materials are available on request.

Code	Instrument Connecion	Code	Instrument Connecion	Code	Instrument Connecion	Code	Instrument Connecion
2BSF	½" BSP (F)	34BSTF	¾" BSPT (F)	1NPF	1" NPT (F)	15M18F	M18 x 1.5 (F)
2NPF	½" NPT (F)	34NPF	¾" NPT (F)	1BSF	1" BSP (F)	15M20F	M20 x 1.5 (F)
2BSTF	½" BSPT (F)	34BSF	¾" BSP (F)	1BSTF	1" BSPT (F)	15M22F	M22 x 1.5 (F)
2PF	½" PF (F)	34GF	¾" G (F)	1GF	1" G (F)		
2GF	½" G (F)						

Note : Other Connecions are available on request.

Code	Collar Diameter
A	Suitable to Raised Face of 1" ANSI Flange (51 mm)
B	Suitable to Raised Face of 1½" ANSI Flange (73 mm)
C	Suitable to Raised Face of 2" ANSI Flange (92 mm)

Code	Collar Thickness
1	3/8" (9.52 mm Thk.)

Code	Collar Facing
FF	Flat Face

Code	Extension / Lagging Length
HXX	Please specify in mm e.g. : for length 50 mm, menion H50

Code	Finished Head Size
AXX	Please Specify in mm e.g. : For 28 mm Finished head Size, Specify A28

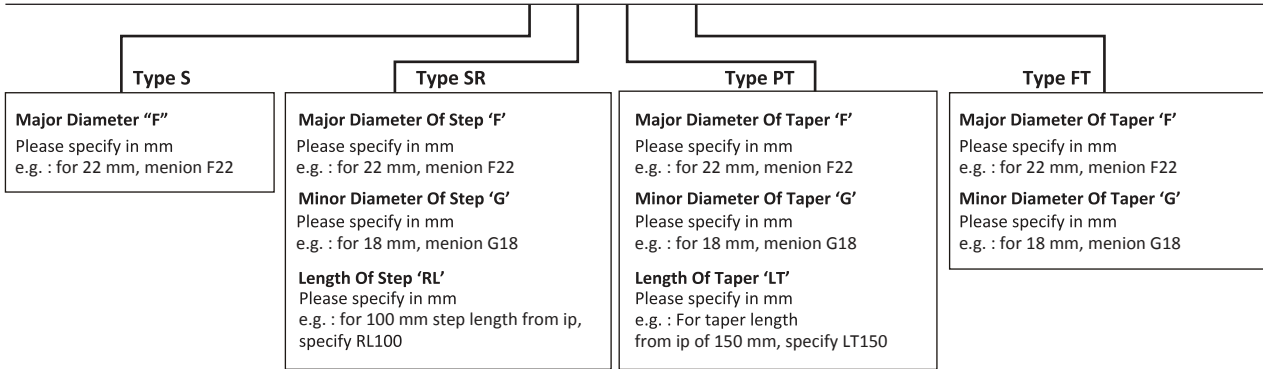
Code	Type of Head
HH	Round Headed

Code	Bore Diameter	Code	Bore Diameter	Code	Bore Diameter	Code	Bore Diameter
A	6.6 mm	B	7 mm	C	8.5 mm	D	9 mm
E	10.5 mm	F	11 mm	G	13 mm	H	13.5 mm

\* Maximum "U" Length below thread will be 250 mm.

Note: Design and Specifaions subject to change without prior notice.

**Major Diameter**



Code	Tip Thickness
<b>E XX</b>	Standard Tip Thickness is 5 mm. e.g. : Specify E5 for 5 mm Tip Thickness. For others, Please specify in mm.

Code	Inserion Length
<b>U XX</b>	Please specify in mm e.g. : for 250 mm, menion U250

Code	Options	Code	Options
<b>GG</b>	Plug and chain in SS	<b>EM</b>	Marking by Engraving
<b>EP</b>	Electro polishing	<b>LM</b>	Marking by Lazer

Code	Tests & Cerificaion	Code	Tests & Cerificaion
<b>C1</b>	Radiography for Bore Concentricity	<b>C8</b>	Cerificaion for Hydrogen Service
<b>C3</b>	Mechanical Test	<b>C9</b>	Cerificaion for Oxygen Service
<b>C4</b>	Ultrasonic Test	<b>T1</b>	Chemical Composiion Test
<b>C5</b>	PMI Test	<b>MTC</b>	3.1B Material Conformity Certificate
<b>C6</b>	IGC Test	<b>CN</b>	Conformity as per NACE standard
<b>C7</b>	Wake Frequency Calculaions as per PTC 19.3*		

\* Please Specify Fluid, Max. Pressure, Temperature & Flow velocity for wake frequency calculaions as per PTC 19.3