

Series 6211IV: BV Instrumentation Valves Ball Valve

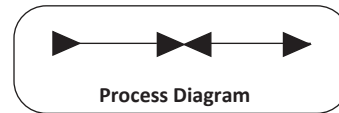
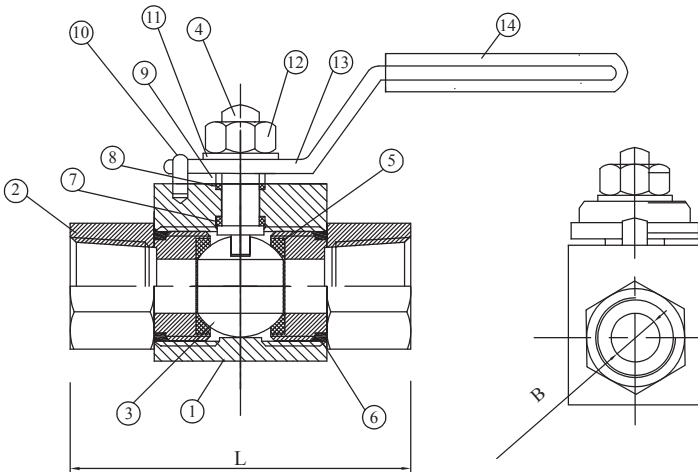
BV



Features

Instrumentation Ball Valve is one piece ball stem ensures alignment of stem and orifice it reduce potential leak points does not require system pressure to seal is easily cleaned and purged available in square and round body.

Technical Specifications



MATERIAL OF CONSTRUCTION			
Sr.No	DESCRIPTION	MATERIAL	QTY .
1	BODY	SS 316	1
2	CONNECTIONS	SS 316	2
3	BALL	SS 316	1
4	STEM	SS 316	1
5	SEA TS	DELRIN/PEEK	2
6	JOINT SEAL	VIT ON	2
7	GLAND SEALS	P.T.F.E.	1
8	BACK UP SEAL	P.T.F.E.	1
9	RET AINER	SS 304	1
10	ST OP PIN	SS 304	1
11	WASHER	CS PLA TED	1
12	STEM NUT	CS PLA TED	1
13	HANDLE	CS PLA TED/SS	1
14	SLEEVE	P.V.C.	1

NOTE:

* Dimensions are for Reference only, subject to change.

INLET	OUTLET	Test Pressure 6000 PSI		Test Pressure 10000 PSI	
		L	B	L	B
1/4"NPT(F)	1/4"NPT(F)	58	6.4	65	6.4
3/8"NPT(F)	3/8"NPT(F)	60	8.5	68	8.5
1/2"NPT(F)	1/2"NPT(F)	75	11.5	80	11.5
3/4"NPT(F)	3/4"NPT(F)	80	19	85	19
1"NPT(F)	1"NPT(F)	87	25	95	25
1 1/4"NPT(F)	1 1/4"NPT(F)	112	32	125	32
1 1/2"NPT(F)	1 1/2"NPT(F)	120	38	135	38
2"NPT(F)	2"NPT(F)	130	50	150	50

How To Order - Ordering Example: 6211IV: BV.SS.P.22.FF.N

Basic Model		6211IV: BV							
Code	Body Material	Code	Body Material	Code	Body Material	Code	Body Material		
CS	Carbon Steel	SS	SS 316	SS3	SS 304	SSL	SS 316L		
MON4	Monel 400	MON5	Monel 500	HTLC	Hastelloy C	BRS	Brass		
Code	Stem Packing	Code	Stem Packing						
P	PTFE	G	Grafoil						
Code	Size = P x P1	Code	Size = P x P1	Code	Size = P x P1				
44	1/4" x 1/4"	38	3/8" x 3/8"	22	1/2" x 1/2"				
18	1/8" x 1/8"	34	3/4" x 3/4"	11	1" x 1"				
Code	Connections (inlet x outlet)								
FF	Female x Female	MF	Male & Female	MF	Male x Male	SW	Socket Weld	TT	Tube x Tube
Code	Threads	Code	Threads	Code	Threads				
N	NPT	B	BSPP	BT	BSPT				
Code	Options								
CE	Carbon steel plated handle								
SE	SS handle								
CN	Compliance to NACE standard								
MTC	Material Test Certificates								
GO	Hydrotest Certificate								
RB	Round body (Low pressure below 3000 psi)								
SB	Square body (High pressure above 3000 psi)								

Standard Valve Materials				
Valve	Body	Bonnet	Stem	Tip
Carbon Steel	CS A105	CS A105	SS 304	SS 304
Stainless Steel	SS 316	SS 316	SS 316	SS 316
Monel	Monel	Monel	Monel	Monel

NOTE:

High pressure valves for 10,000 psi pressure are available on request. Please consult factory.