

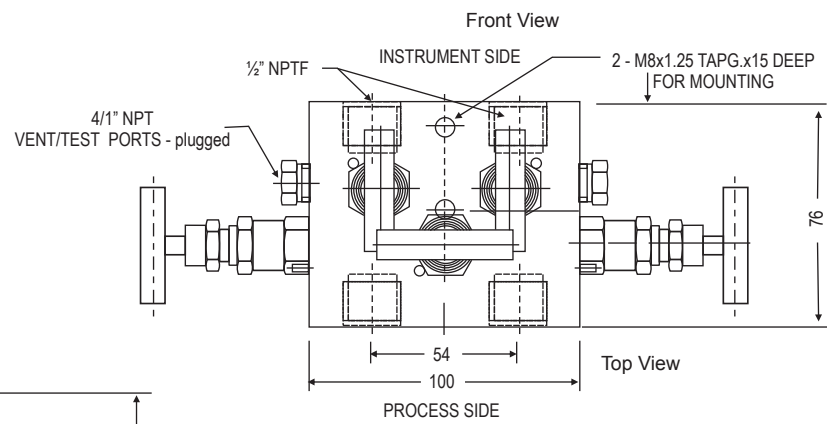
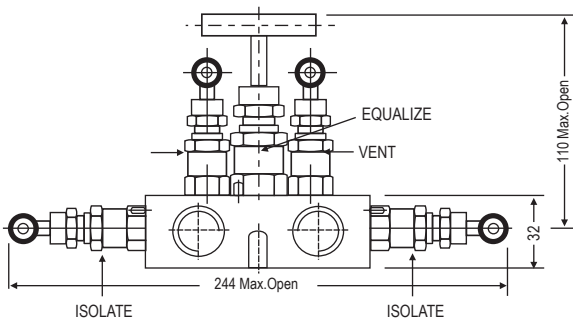
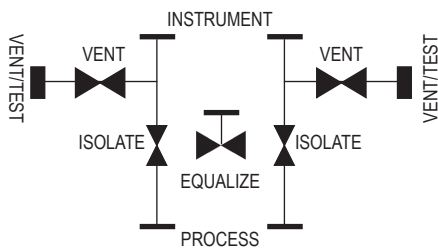


Features

- Threaded female ports on front side and back side for instrument and process connections.
- The two vent bonnets along with equalizing bonnet are positioned on the top side.
- The two isolation bonnets are positioned on left and right hand sides.

Standard Connection

Product	Process side	Instrument side	Vent/Test
5VR	2/1" NPT Female	2/1" NPT Female	4/1" NPT Female



Notes : • Drawings are not to scale.
• All Dimensions are in mm.

Specifications - Standard Version	
Body	: SS 316
Stem	: SS 316
Valve assembly	: SS 316
'T' bar handle	: SS 304
Maximum working pressure	: 6000 psi
Maximum working temperature	: 240°C
Packing	: PTFE
Type of stem	: Type CT; Stem with conical metal tip
Drain port	: 1/4" NPT [F]; provided with SS 316 plug

How To Order - Ordering Example: 6211MF: 5VR.SS.CT.P.22.FF.N

Basic Model 6211MF : 5VR							
Code	Body Material	Code	Body Material	Code	Body Material	Code	Body Material
CS	Carbon Steel	SS	SS 316	SS3	SS 304	SSL	SS 316L
MON4	Monel 400	MON5	Monel 500	HTLC	Hastelloy C		
Code	Stem Type	Code	Stem Type				
CT	CT	DS	DS				
Code	Stem Packing	Code	Stem Packing				
P	PTFE	G	Grafoil				
Code	Size (Inlet x Outlet)	Code	Size (Inlet x Outlet)				
22	1/2" x 1/2" (std)	44	1/4" x 1/4"				
Code	Connections						
FF	Female x Female						
Code	Threads	Code	Threads	Code	Threads		
N	NPT (ANSI B 1.20.1)	B	BSPP (BS 2779, ISO 228/1)	BT	BSPT (BS 21, ISO 7/1)		
Code	Options						
CN	Compliance to NACE standard						
OS	For Oxygen service, valves are supplied cleaned, degreased and suitably packed.						
MTC	Material test certificate *						
GO	Hydro test certificate						

*Material test certificates will be provided for wetted parts only with chemical composition testing. For others, please consult factory.

NOTE:

- The weld prepared types are available with female plain end - suitable for socket weld.
- Anti-tamper bonnet - special design on request with locking arrangement if desired.