



Features

- Case & measuring system in SS
- Fillable or liquid filled

Applications

- Suitable for clean air
- Compatible gases
- Fertilizer
- Petrochemicals
- Pharmaceutical
- Power
- Cement
- Sugar
- Food & beverages
- Pulp
- Paper
- Allied process industries

Specifications

Standard Version: 100 mm, 150 mm

Accuracy	:	±2.5% of F. S. (For ascending order)
Case & bezel	:	AISI 304 SS (Bayonet Type)
Diaphragm	:	Spring Steel with PTFE protection (AISI 316L SS on request)
Nuts & bolts	:	AISI 304 SS
Process connection	:	1/4" NPT (F) x 2 Nos.
Seal chamber	:	AISI 304 SS
Movement	:	AISI 304 SS
Ambient temperature	:	- 25°C to + 65°C
Process temperature	:	Max. 100°C
Static pressure	:	10 kg/cm ² up to ranges 600 mmWC
	:	40 kg/cm ² for ranges 1000 mmWC to 2500 mmWC
	:	60 kg/cm ² for ranges 4000 mmWC & above
Over pressure limit	:	130% of Max. Scale Value
Protection	:	IP 65
Dial	:	Aluminum, black graduation on white background
Pointer	:	Aluminum, black coloured, Micrometer Zero Adjustable
Window	:	Shatter proof / Safety Glass
Case Gasket	:	Neoprene
Scale Amplitude	:	180 to 270 (Depends on Range)

*Static Pressure up to 100 kg/cm² on request.

Glycerine filled version

Accuracy	:	±4% of F. S. (For ascending order)
Ambient Temperature	:	Maximum 65°C
Process Temperature	:	Maximum 65°C
Window	:	Plexi Glass
Dampening Liquids	:	Glycerin 99.7%
Other Features	:	Refer Specification of Standard Version

Electrical contacts - Fillable version

- Accuracy : ±3% of F. S. (For ascending order)
- Ambient Temperature : Maximum 65°C
- Process Temperature : Maximum 65o C
- Window : Polycarbonate Dome
- Dampening Liquids : Dielectric Oil (Optional)
- Electrical Contacts* : Refer How to Order
- Other Features : Refer Specification of Standard Version

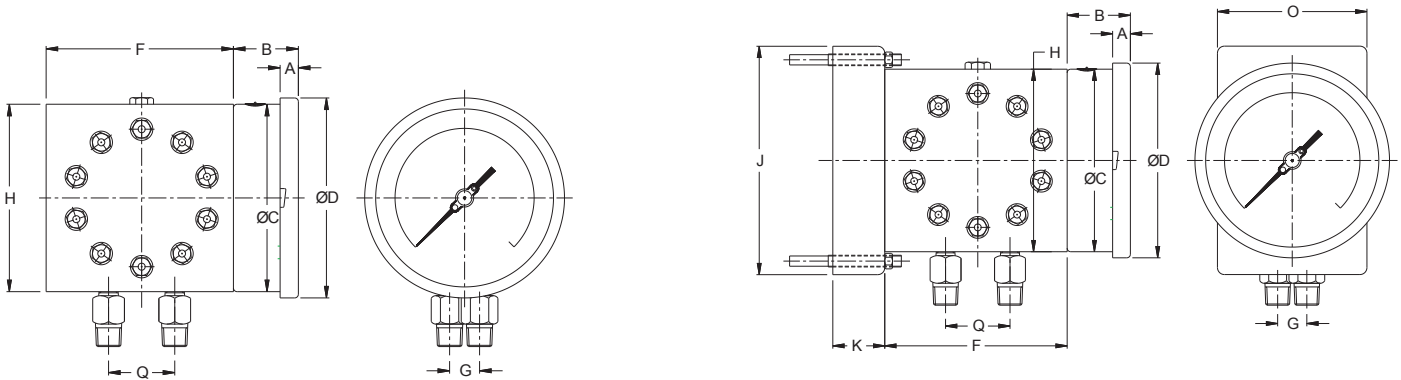
* Please specify contact set points while ordering.

Temperature Effect

The variation of indication caused by effects of temperature is to be calculated by below formula; which is to be added in the specified accuracy while measurement :- Formula : $\pm 0.08 \times (t_2 - t_1) \%$ of F. S. where t_1 = reference temperature (+20°C) and t_2 = ambient temperature in °C.
Note : The addition of mechanical electric contacts affects the accuracy of instruments such that 1% becomes 1.5%, 1.6% becomes 2.4% etc. (Add the 50% of accuracy; If the contact is of the magnetically assisted type, this value can't be added within the ±5% of setting point.)

Dimensions - Standard Version

Diagram and Code indicates Type of Mounting

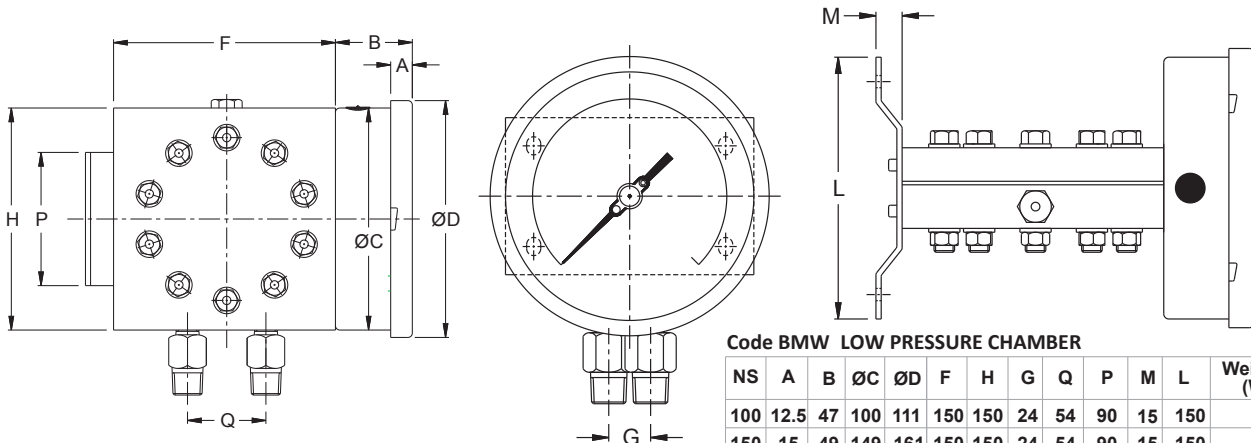


Code BM LOW PRESSURE CHAMBER

NS	A	B	ØC	ØD	F	H	G	Q	Weight in gram (With Box)
100	12.5	47	100	111	150	150	24	54	8100.0
150	15	49	149	161	150	150	24	54	8260.0

Code BMPY LOW PRESSURE CHAMBER

NS	A	B	ØC	ØD	F	H	G	Q	J	K	O	Weight in gram (With Box)
100	12.5	47	100	111	150	150	24	54	161	39	101	9000.0
150	15	49	149	161	150	150	24	54	161	39	101	9250.0



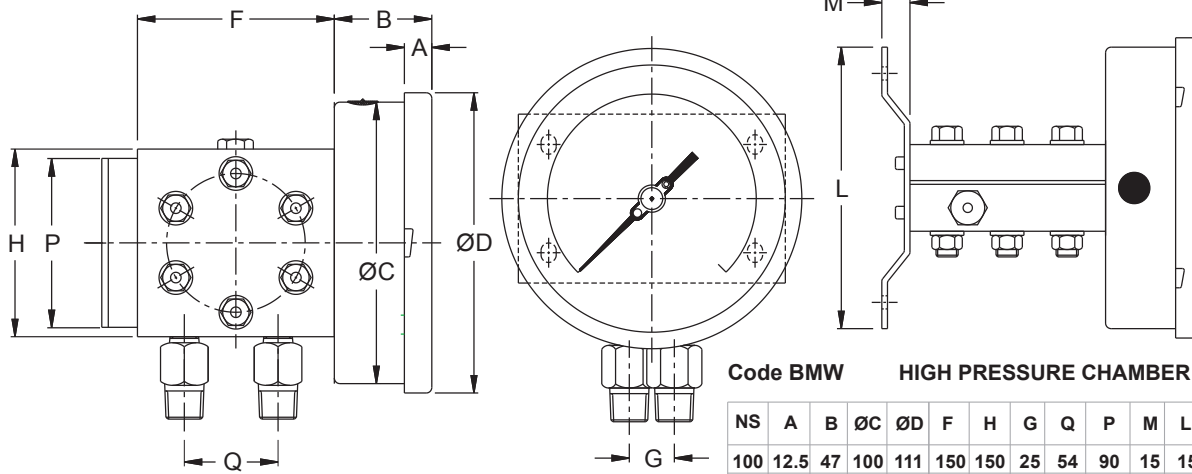
Code BMW LOW PRESSURE CHAMBER

NS	A	B	ØC	ØD	F	H	G	Q	P	M	L	Weight in gram (With Box)
100	12.5	47	100	111	150	150	24	54	90	15	150	8410.0
150	15	49	149	161	150	150	24	54	90	15	150	8560.0

Note: Design and Specifications subject to change without prior notice.

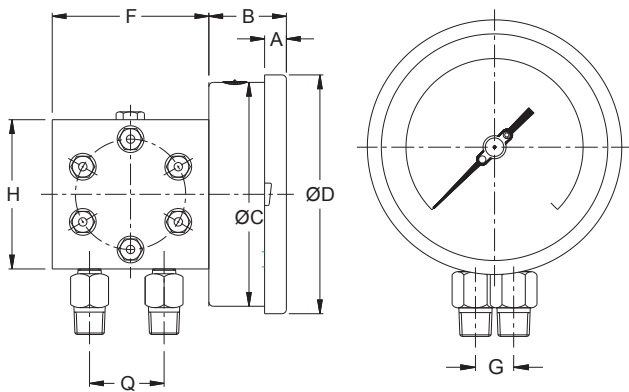
Series 2211DPG : SDT Differential Pressure Gauge Single diaphragm type

SDT



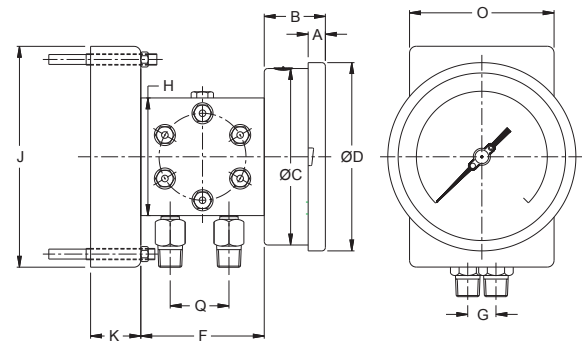
Code BMW HIGH PRESSURE CHAMBER

NS	A	B	ØC	ØD	F	H	G	Q	P	M	L	Weight in gram (With Box)
100	12.5	47	100	111	150	150	25	54	90	15	150	4610.0
150	15	49	149	161	150	150	25	54	90	15	150	4760.0



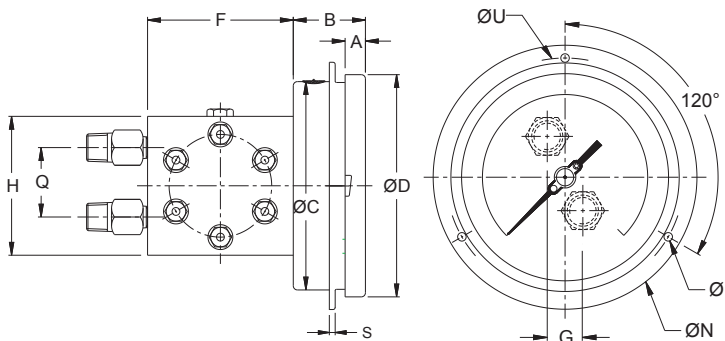
Code BM HIGH PRESSURE CHAMBER

NS	A	B	ØC	ØD	F	H	G	Q	Weight in gram (With Box)
100	12.5	47	100	111	105	100	25	54	4250.0
150	15	49	149	161	105	100	25	54	4400.0



Code BMPY HIGH PRESSURE CHAMBER

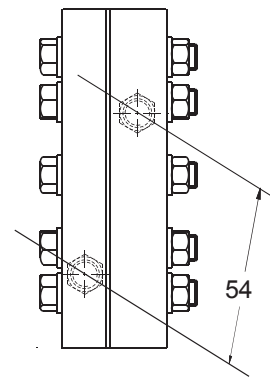
NS	A	B	ØC	ØD	F	H	G	Q	J	K	O	Weight in gram (With Box)
100	12.5	47	100	111	150	150	24	54	161	39	101	5000.0
150	15	49	149	161	150	150	24	54	161	39	101	5250.0



Code CBKFF HIGH PRESSURE CHAMBER

NS	A	B	ØC	ØD	F	H	G	Q	Weight in gram (With Box)
100	12.5	47	100	111	105	100	25	54	4250.0
150	15	49	149	161	105	100	25	54	4400.0

DETAILS - CENTER DISTANCE



- Drawings are not to scale.
- All Dimensions are in mm.
- NS = Nominal Size.

Range Table

Note : We offer Pressure, Vacuum and Compound ranges in Scales like kPa, MPa, bar, psi, kg/cm² & Dual Scale like kPa with psi, kPa with bar, bar with psi or scales as per the requirement can be provided on request. Following are the example tables for kg/cm² & psi scales

Pressure range (Single Scale)

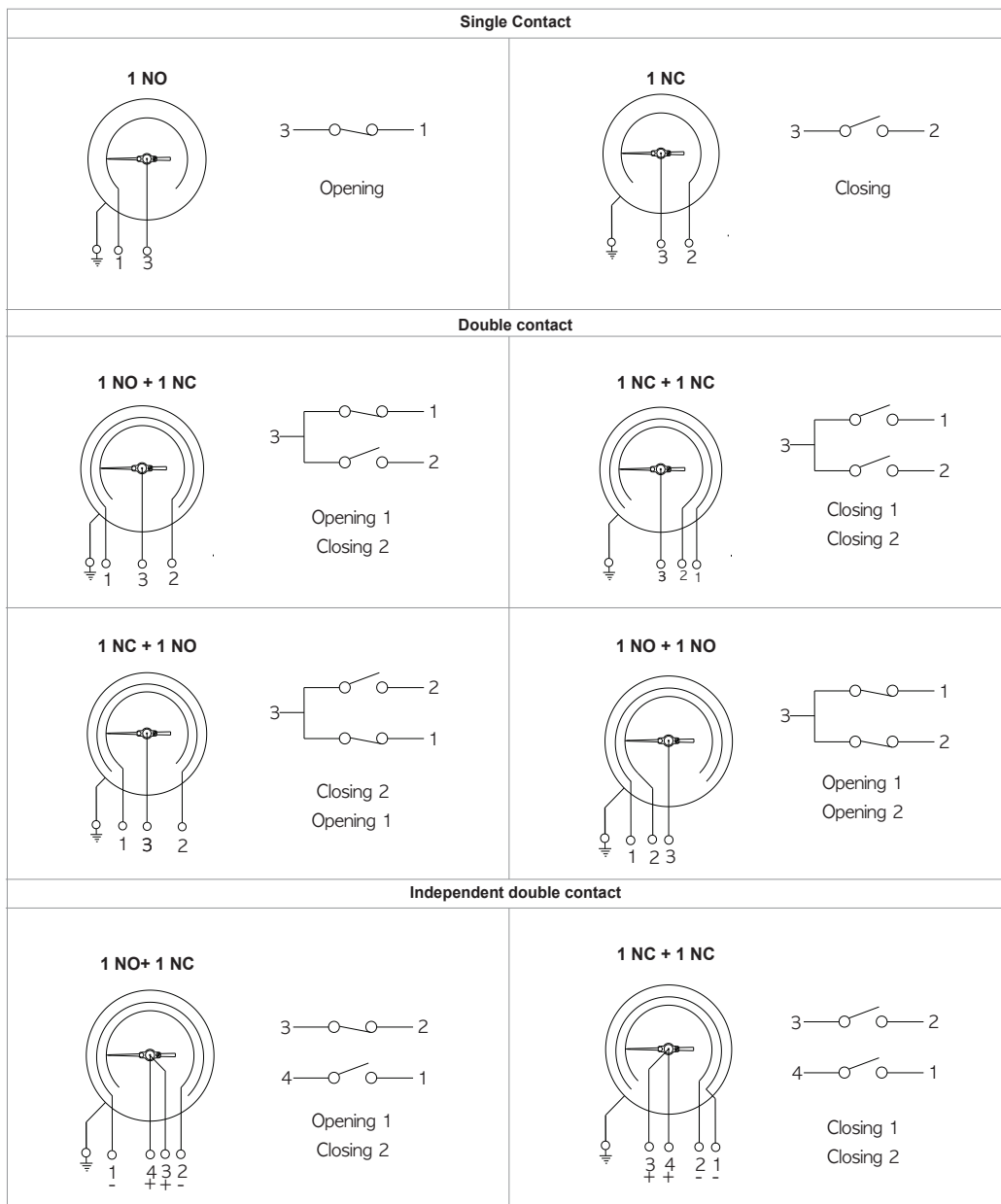
Low Pressure			High Pressure		
mmWC	mmWC	mmWC	kg/cm ²	kg/cm ²	kg/cm ²
0 to 250	0 to 250	0 to 4000	0 to 1	0 to 2.5	0 to 10
0 to 400	0 to 400	0 to 6000	0 to 1.6	0 to 4	
0 to 600	0 to 600		0 to 2	0 to 6	

Note : Other Scale are available on customer request.

Accessories

Code	Accessories
MF	Manifolds *Refer Datasheet For Valves & Manifolds

Wiring diagrams for electric contacts



Note: Design and Specifications subject to change without prior notice.

How To Order - Ordering Example: 2211DPG : SDT.100.BM.2NPM.SSL.SS3.2bar.C5.ST.SS

Basic Model		2211DPG : SDT	
Code		100	150
Nominal Size		100 mm	150 mm
Code	Type of Mounting		
BMW	Wall / surface / projection mounting with bottom entry		
BM	Direct bottom entry		
BMPY	2" pipe / yoke mounting bottom entry (mounting bracket will be provided of steel epoxy painted.)		
CBKFF	Center back entry with front flange (suitable for high pressure chamber only)		
Code	Gauge Connection (through adaptors)		
2BSM	1/4" NPT (M) x 1/2" BSP (M) X 2 Nos.	2NPM	1/4" NPT (M) x 1/2" NPT (M) X 2 Nos.
		4NPF	1/4" NPT (F) (Standard)*

* These female connections are directly provided on chamber.

Note : Connections like Metric/ PT/ PF/ Flaired/ UNF/ G/ R etc can be provided on request.

Code	Diaphragm	Code	Diaphragm	Code	Diaphragm
STPP	Spring Steel with PTFE protection (Std)	MON	MONEL	SSL	AISI 316L SS
Code	Chamber	Code	Diaphragm	Code	Diaphragm
SS3	AISI 304 SS (Std)	SS	AISI 316 SS	MON	MONEL

Range
Refer Range Table

Code	Options	Code	Options
SS	AISI 316 SS case & bezel	TG	Toughened glass
C5	Five point calibration certificate	CD	Custom designed dial
DG	Dampening liquid glycerine filled	PG	Plexi glass
DS	Dampening liquid silicon oil**	TM	Dial tag marking
MTC	Material test certificates#	ST	SS tag plate
PP	Maximum reading pointer with plexi glass (for fillable version)*	CN	Conformity as per NACE standard
JU	2" pipe/yoke mounting bracket & 'U' clamp (AISI 304 SS)	ZZ	Dielectric oil filled**
FN	2" pipe/yoke mounting bracket & 'U' clamp (AISI 316 SS)		

* For ranges 2.5 kg/cm² and above. ** Gasket & plug of Viton.

Material test certificates will be provided for wetted parts only with chemical composition testing. For others, Please consult factory

Electric Contacts (CE & Atex approved)	
A) Single insulated magnetic snap action type (230 V AC, 1 Amp.) (48 V DC, 0.5 Amp.) (available for 1 kg/cm² & above)	B) Inductive type (220 V AC, 0.4 Amp.) (available for 1000 mmWC & above)
(For dry version, with ingress protection up to IP 55 & poly carbonate dome as a window)	
Code	Electric Contacts
RJ	Single; normally closed (1 NC)
RK	Double; normally closed + normally open (1 NC +1 NO)
RL	Single; normally open (1 NO)
RM	Double; normally open + normally closed (1 NO + 1 NC)
RN	Double; normally closed (both NC)
RO	Double; normally open (both NO)
RU	Booster with relay for current upto 5 Amp.
RA	SPDT
Code	Electric Contacts
RC	DPDT
YW	Single; normally open (1 NO)
YV	Single; normally closed (1 NC)
YX	Double; normally closed + normally open (1 NC +1 NO)
YY	Double; normally open (both NO)
YZ	Double; normally closed (both NC)
ZA	Double; normally open + normally closed (1 NO + 1 NC)